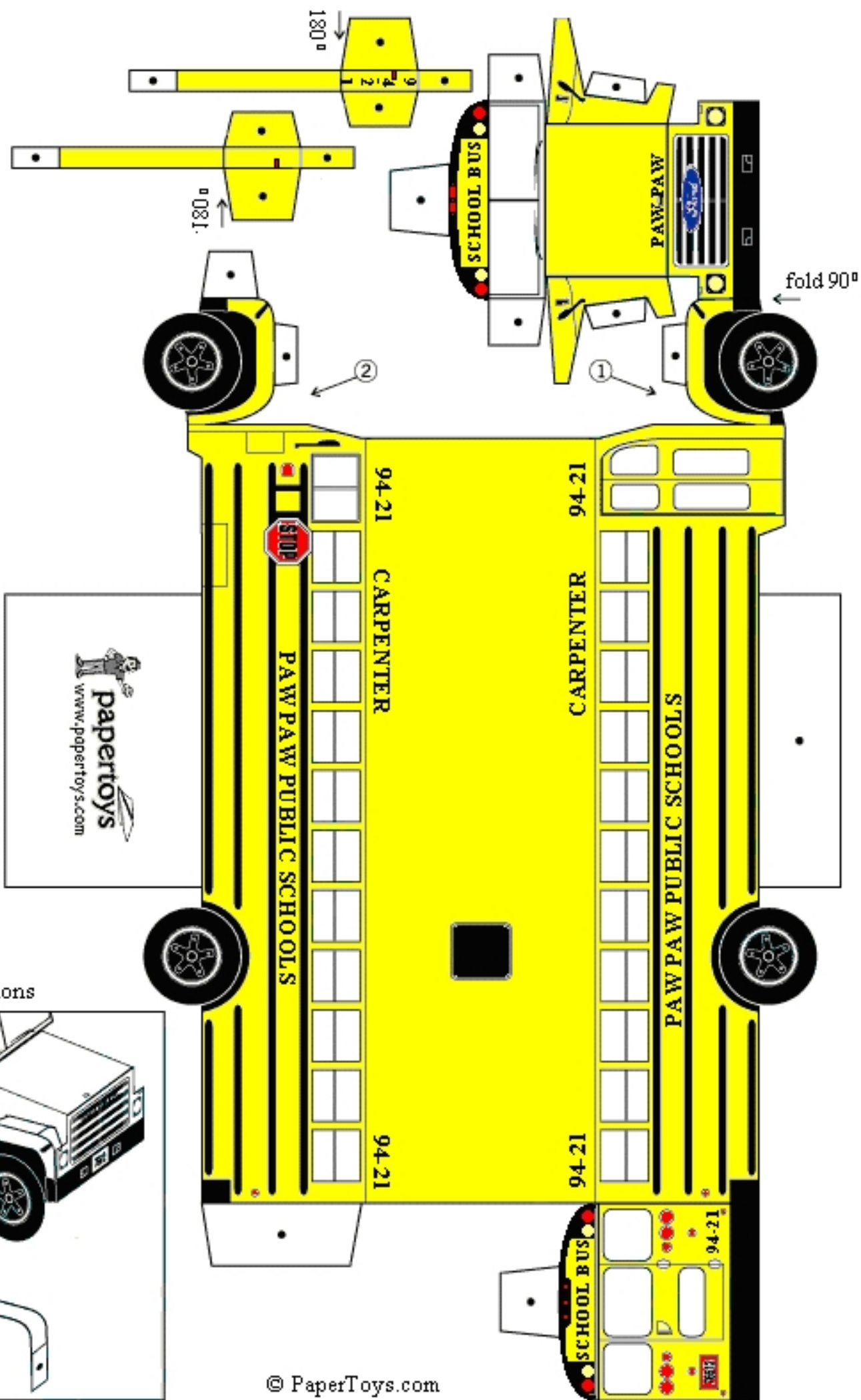


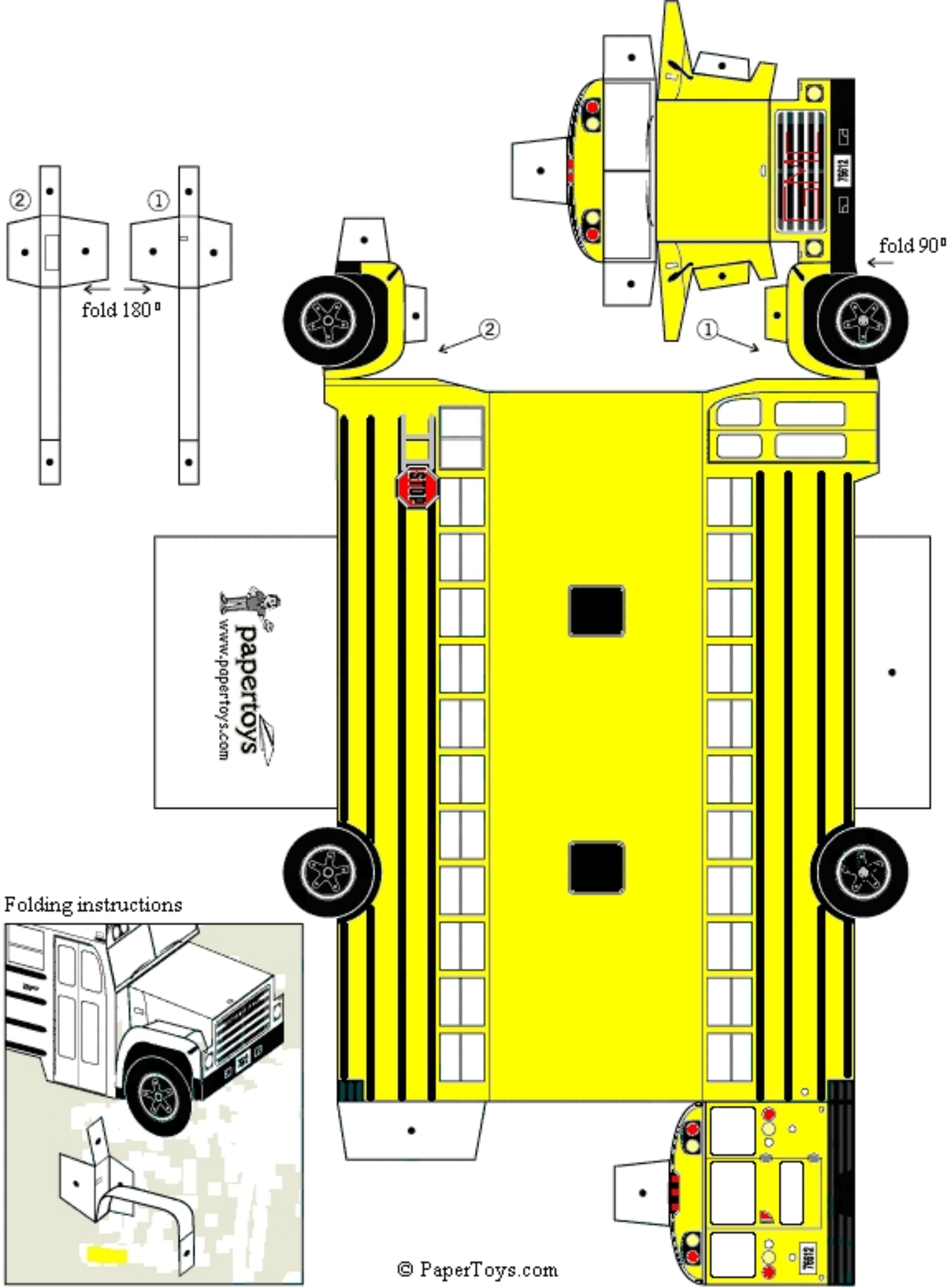
* - fold 90°

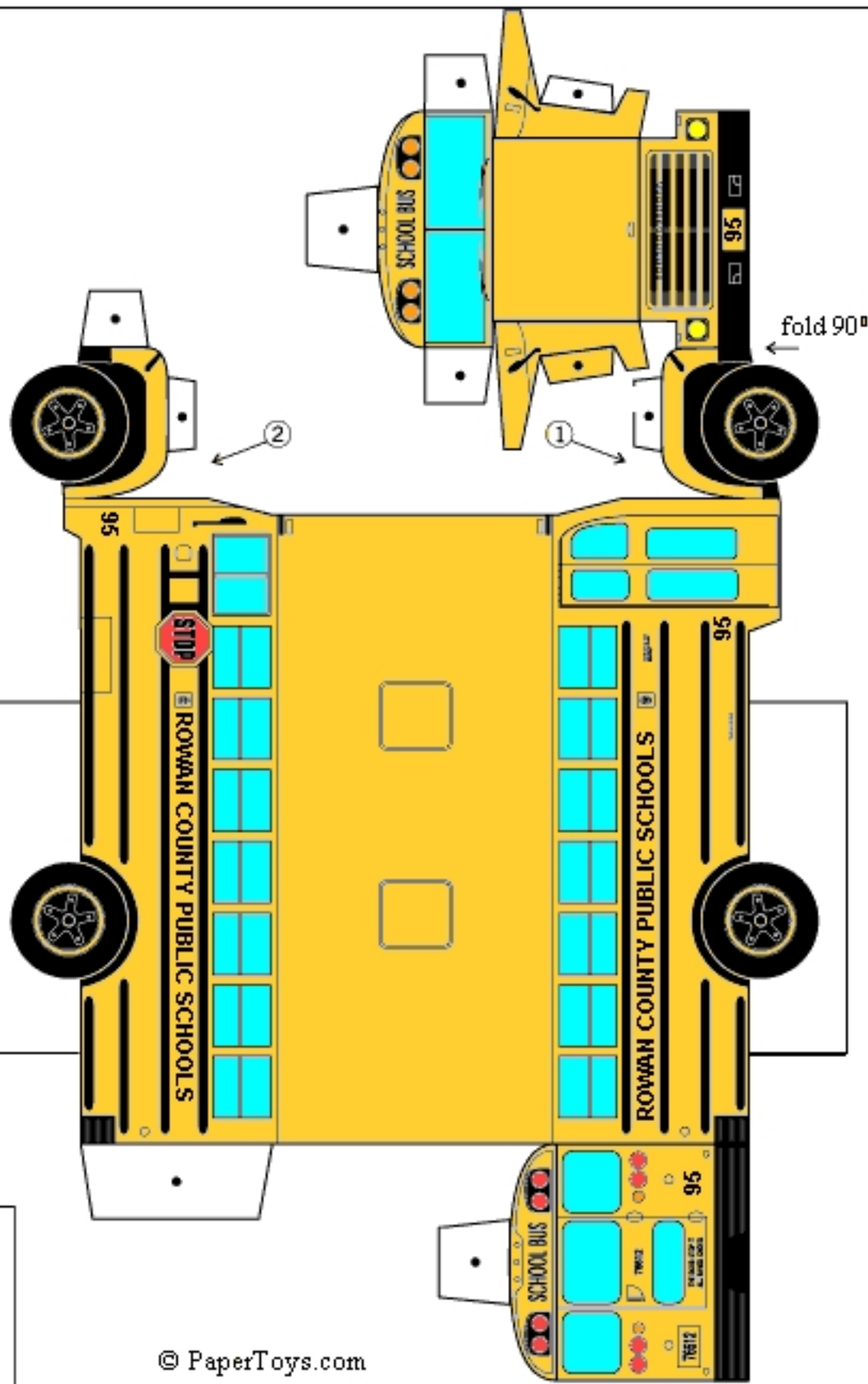
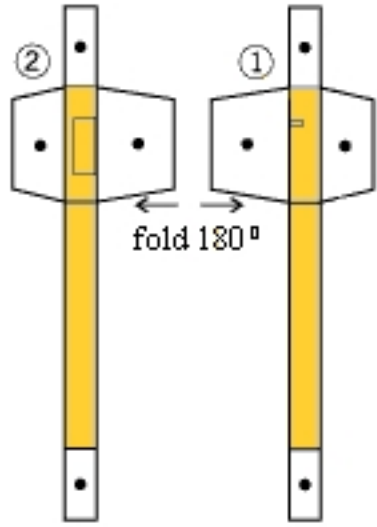
© PaperToys.com



structions

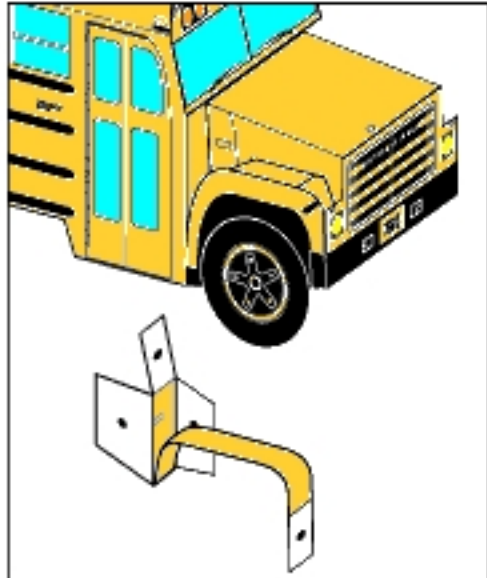


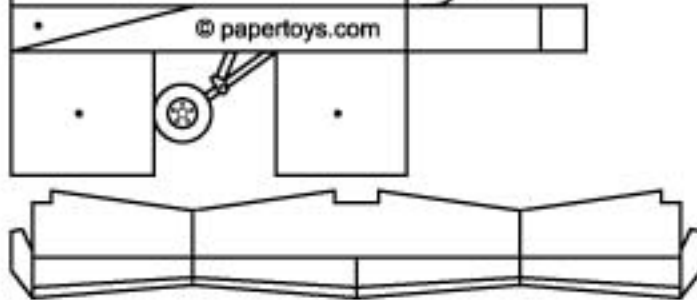
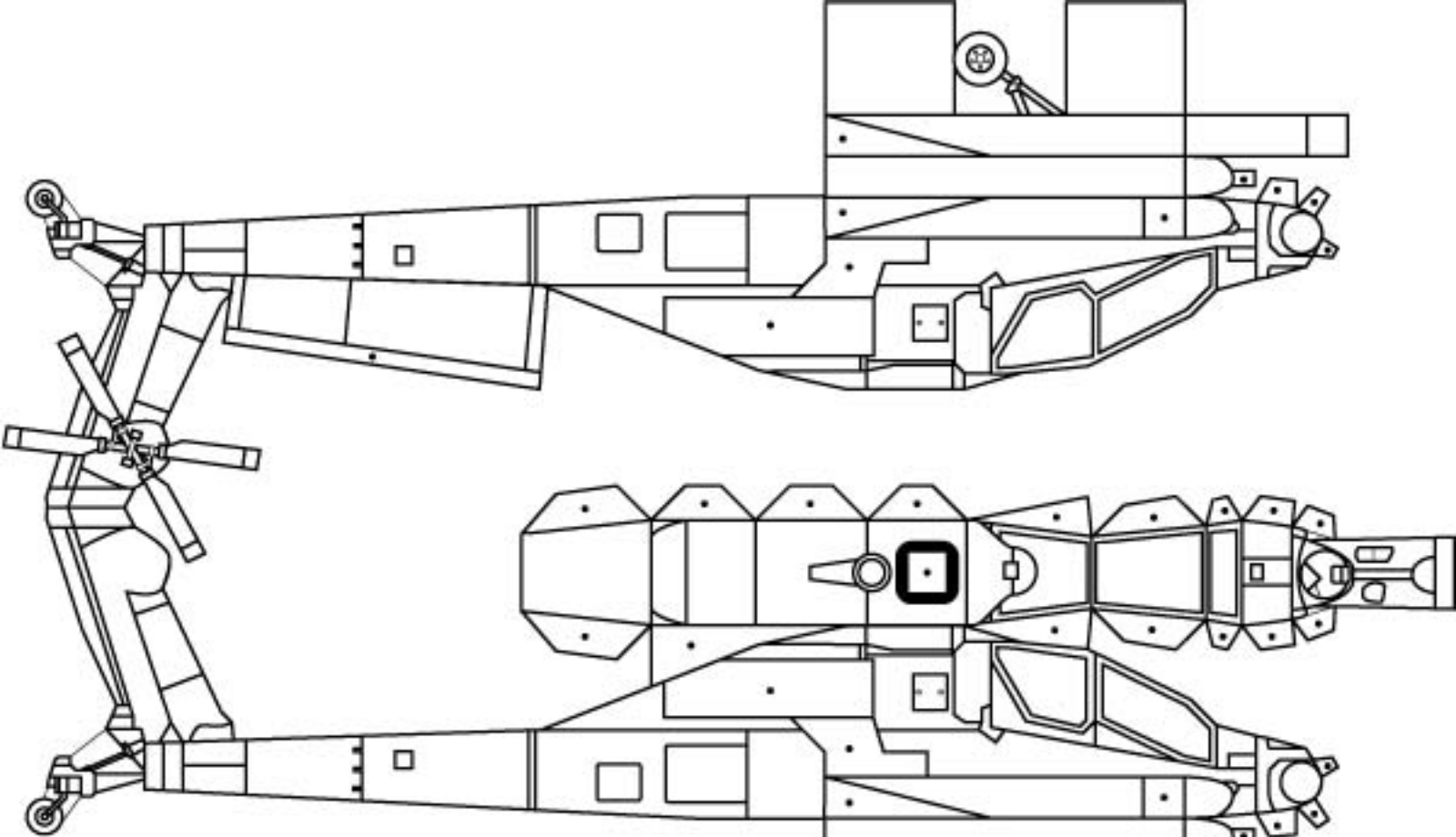




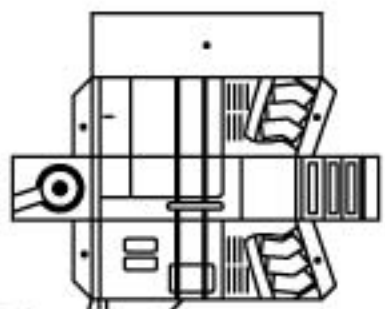
© PaperToys.com

Folding instructions

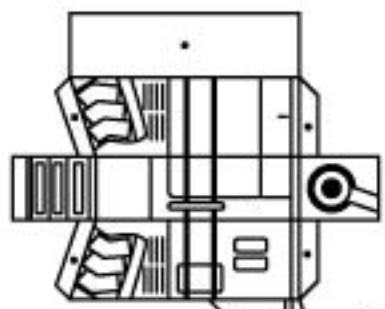




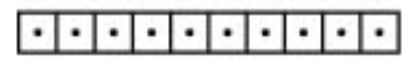
Horizontal tail



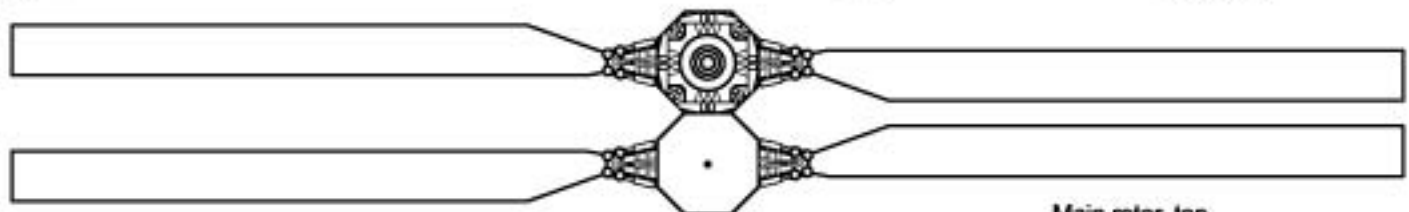
Engine, left



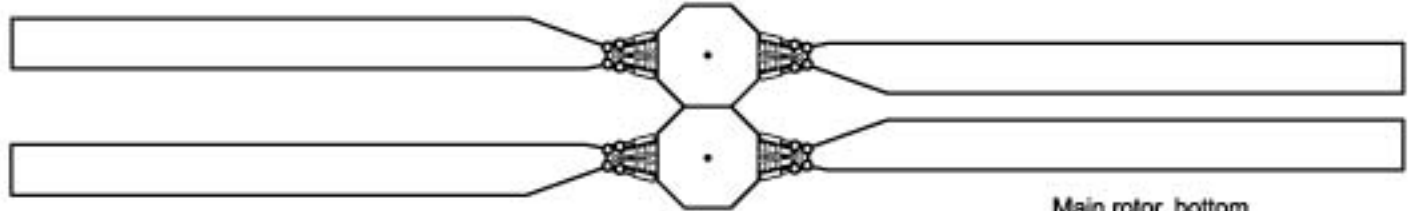
Engine, right



Rotorshaft

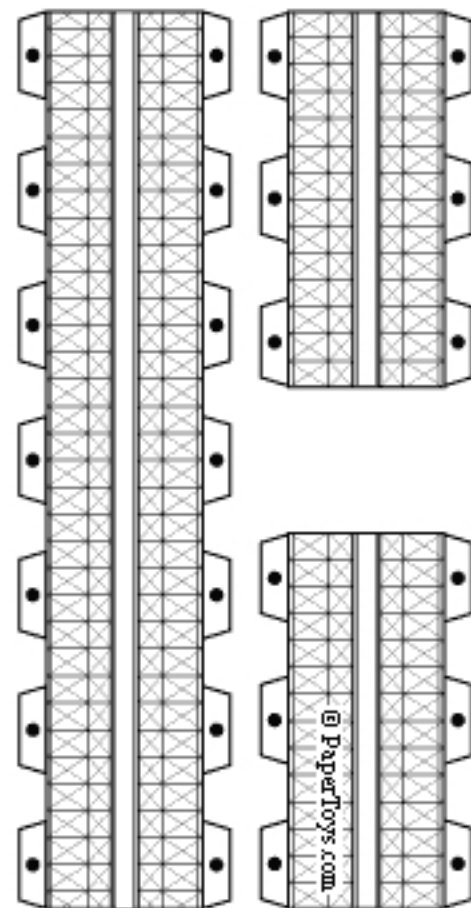
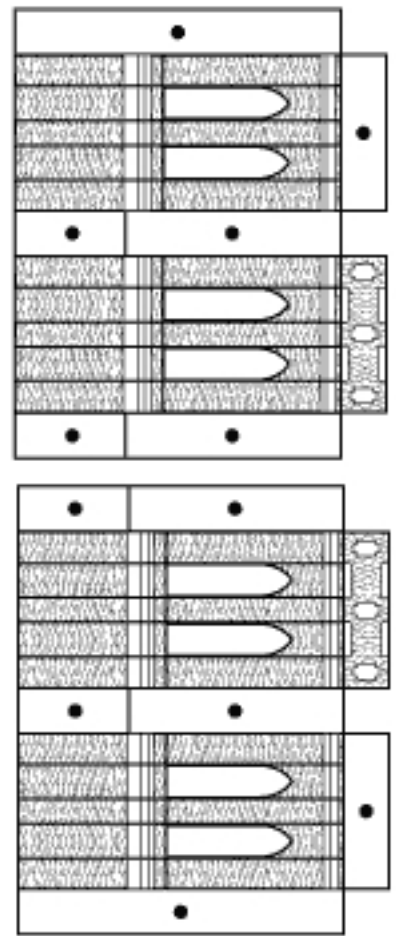
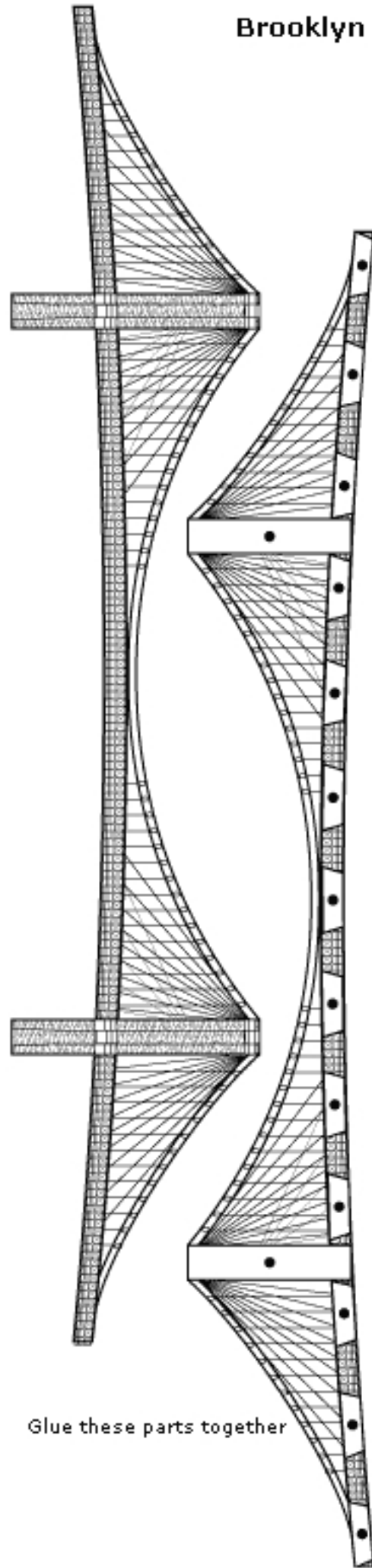
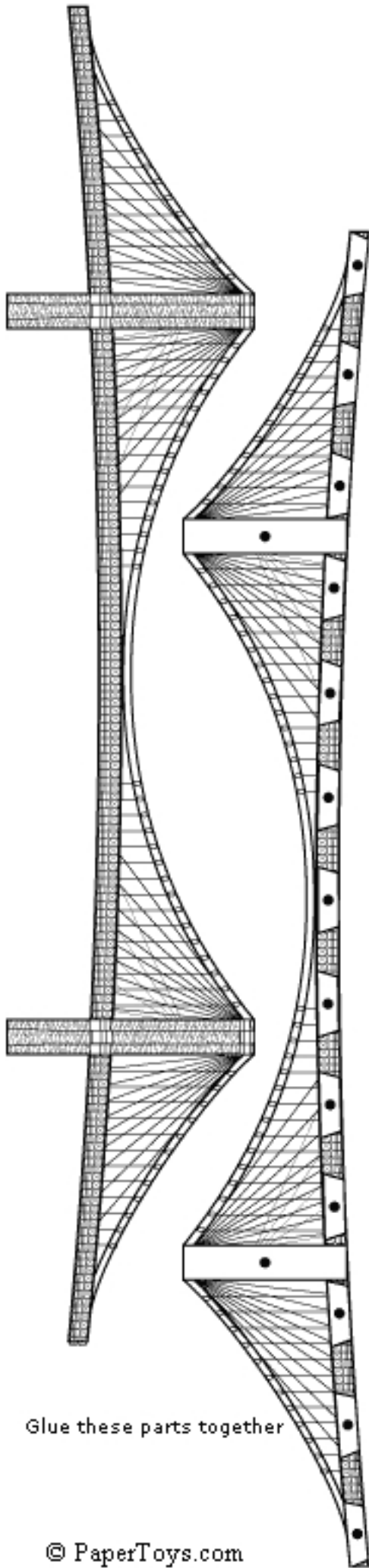


Main rotor, top



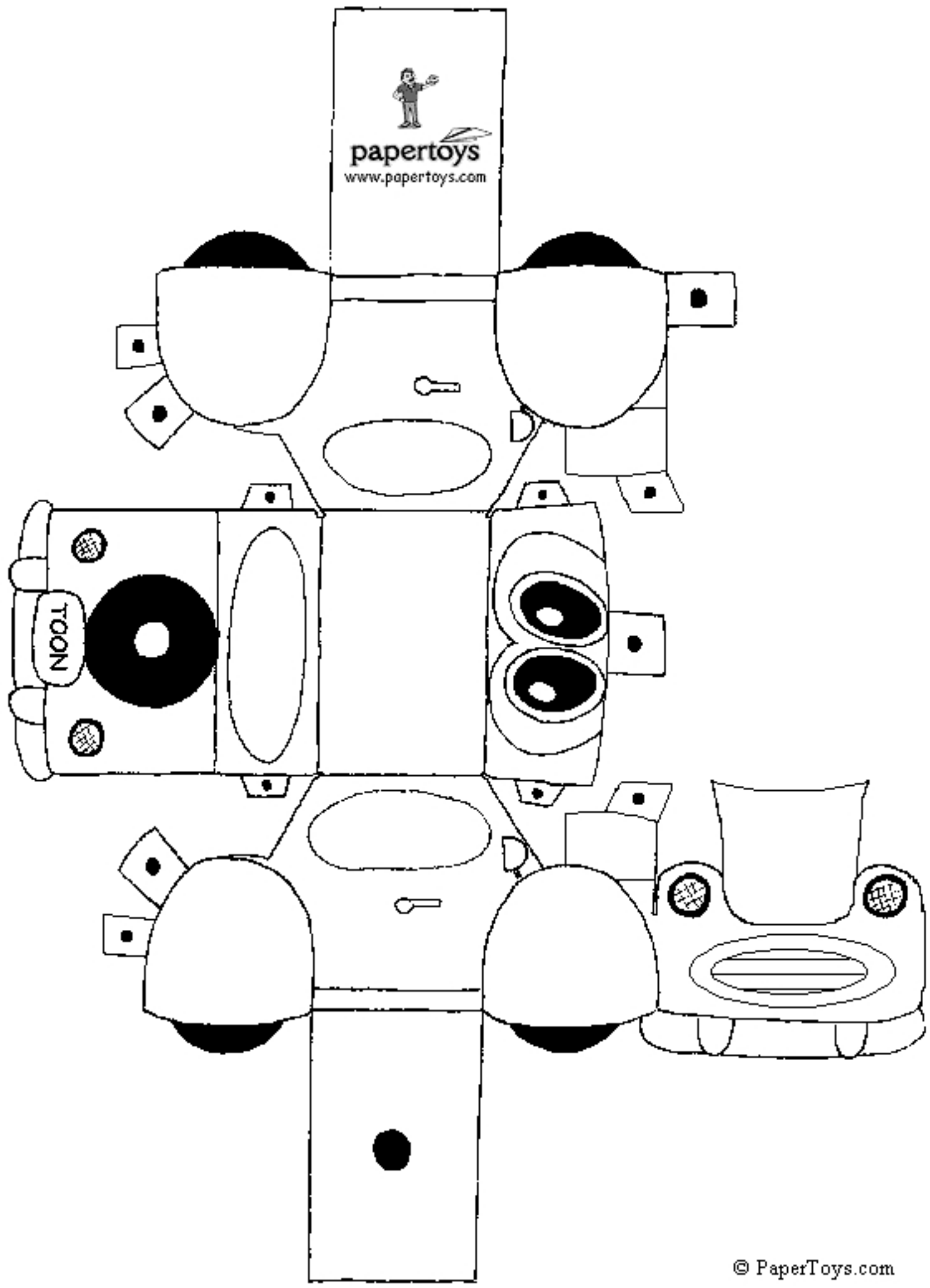
Main rotor, bottom

Brooklyn Bridge





papertoys
www.papertoys.com





PAPERTOYS 

P R E S E N T S

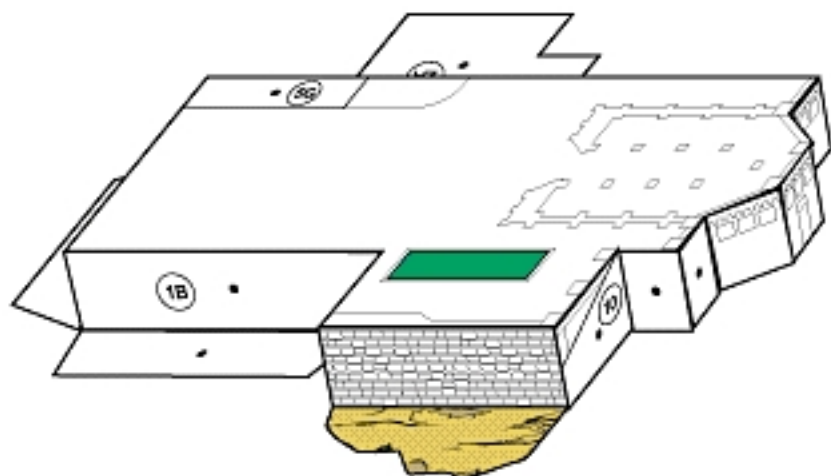
Neuschwanstein

CASTLE



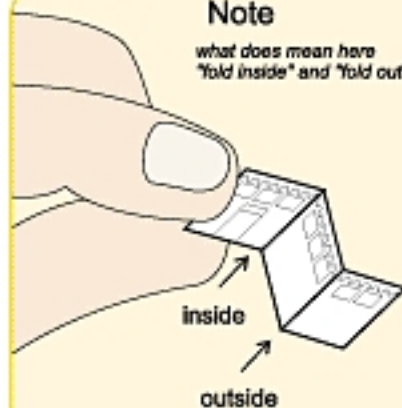
Step by step instructions

1. Print all pages, recommended paper 50 lb.
2. Cut out **Base** on page 1. This part is flat.
3. Cut out **Upper Courtyard**, fold it and glue to **Base**



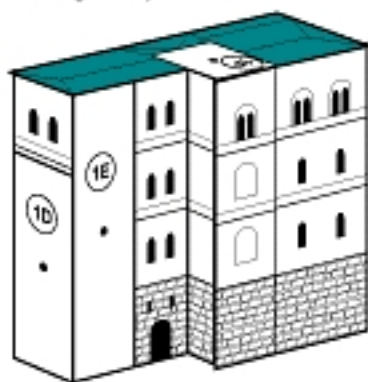
Note

what does mean here
"fold inside" and "fold outside"



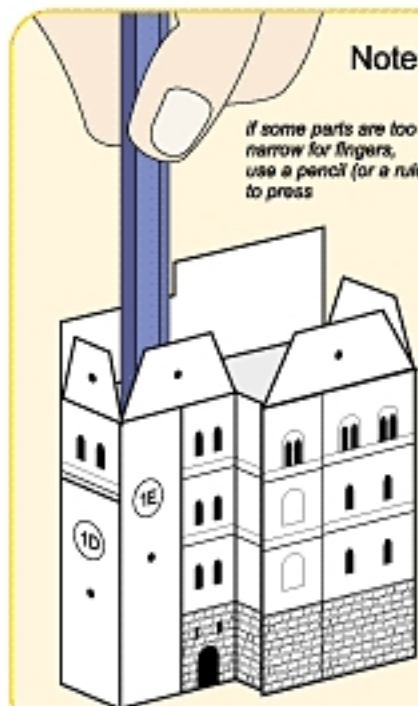
4. Fold and glue **Kemenate Building**

(better, at first glue walls, then glue building to the **Base** and **Upper Courtyard**,
and in last turn glue roof)



Note

if some parts are too
narrow for fingers,
use a pencil (or a ruler)
to press



5. Fold and glue small tower on **Kemenate Building** roof

see 1F



6. Fold **Knights' House** and glue to the **Base**

(also this building is glued
to **Upper Courtyard**)



7. Fold **Big Building 1** and glue to the **Base**

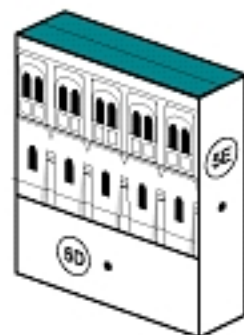
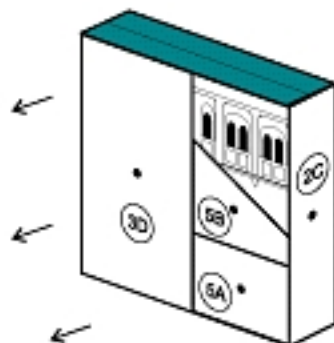
(also this building is glued to Upper Courtyard and Kamenate Building)

(better, at first glue walls, then glue building to the Base using a pencil to press, and in last turn glue roof)



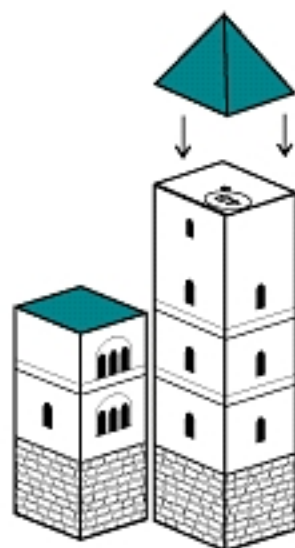
8. Fold **Wall 1** and **Wall 2**, and glue to the **Base**

(also Wall 1 is glued to Upper Courtyard, Big Building 1 and Knights' House. Wall 2 is glued to Upper Courtyard and Knights' House)



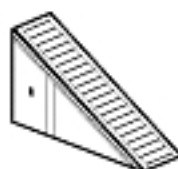
9. Fold **Tower 1** and **Tower 2**, and glue to the **Base**

(also Tower 1 is glued to Kamenate Building. Tower 2 is glued to Kamenate Building and Big Building 1)



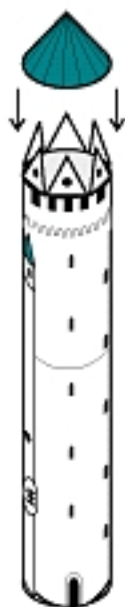
10. Fold and glue **Staircase 1**

(Staircase 1 is glued to Upper Courtyard, Wall 1, Knights' House and Big Building 1)



11. Fold and glue **Tower 3**

(Tower 3 is glued only to Knights' House)



Note

use a pencil for folding and gluing a cone



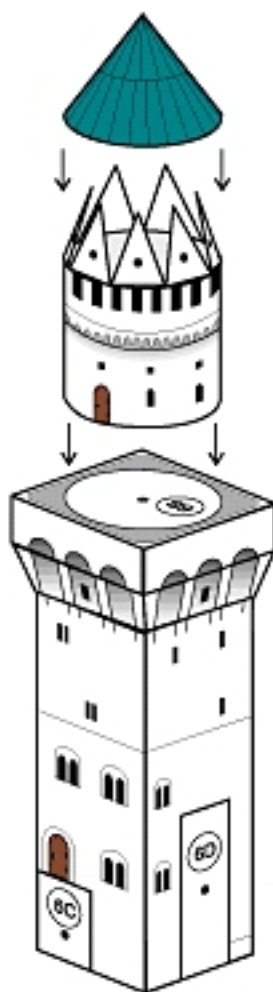
12. Fold Tower 4 and glue to the Base

(also Tower 4 is glued to Big Building 1 and Wall 1)



13. Fold Big Square Tower and glue to the Base

(also Big Square Tower is glued to Upper Courtyard and Wall 2)



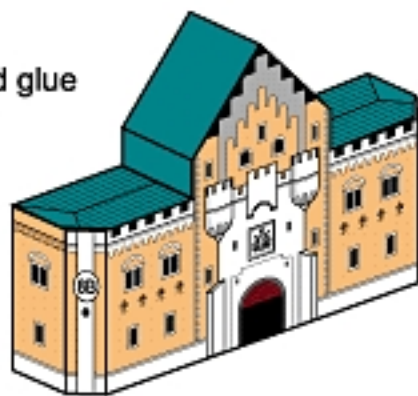
14. Fold Wall 3 and glue to the Base

(also Wall 3 is glued to Big Square Tower)



15. Fold Gate House and glue to the Base

(also Gate House is glued to Wall 3)



16. Fold Left and Right Towers of Gate House and glue those to Gate House



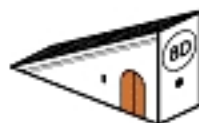
Left Tower of Gate House



Right Tower of Gate House

17. Fold Staircase 2 and glue to the Base

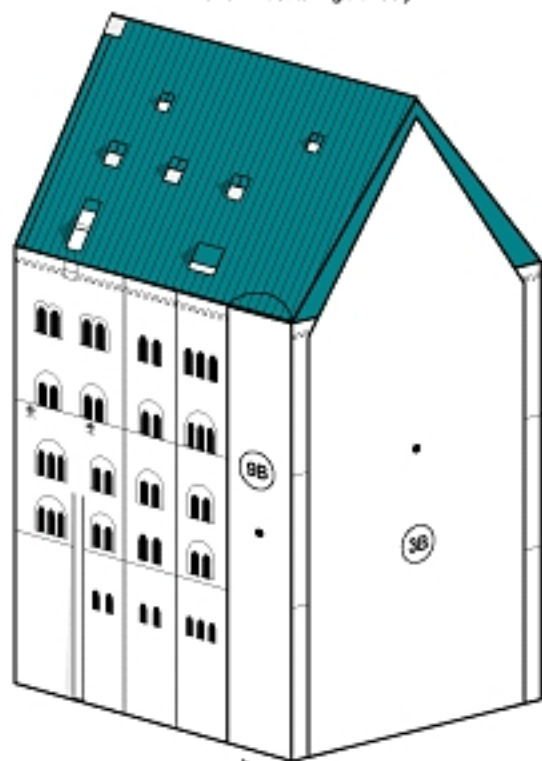
(also Staircase 2 is glued to Wall 3 and Gate House)



18. Fold **Big Building 2** and glue to the **Base**

(also *Big Building 2* is glued to *Big Building 1*)

(better, at first glue walls, then glue building to the **Base** using a pencil to press, and in last turn glue roof)



19. Fold **Round Tower 1** and glue to the **Base**

(also *Round Tower 1* is glued to *Big Building 2*)



(note, this is a section of top part of the Tower)

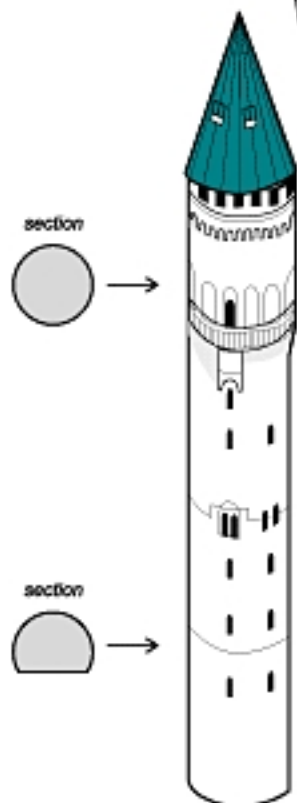


(note, this is a section of bottom part of the Tower)



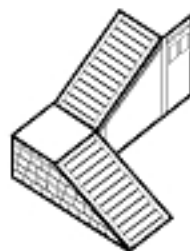
20. Fold **Round Tower 2** and glue to the **Base**

(also *Round Tower 2* is glued to *Big Building 2*)



21. Fold **Staircase 3** and glue to the **Base**

(also *Staircase 3* is glued to *Upper Courtyard*)



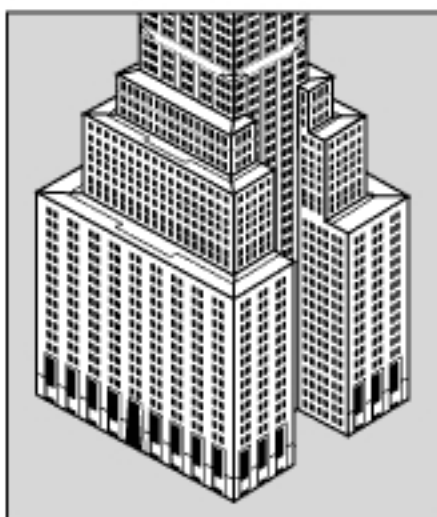
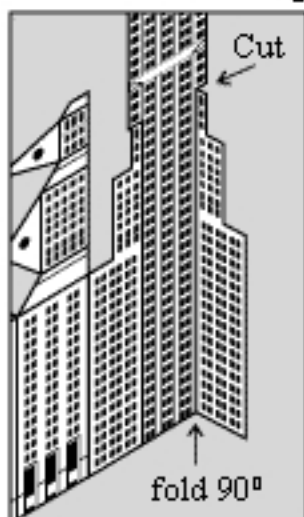
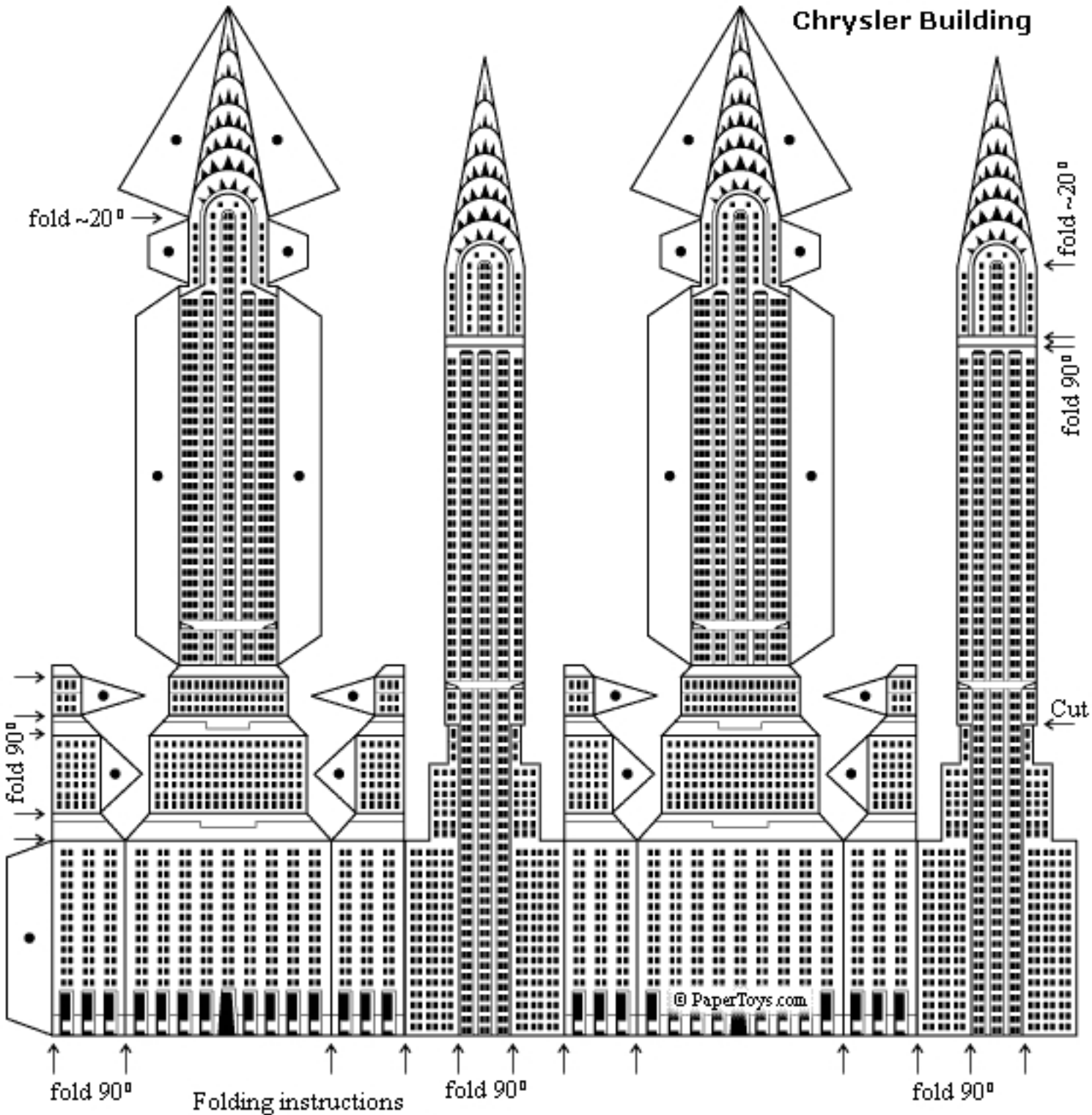
View of Staircase 3 from another side



Now your Neuschwanstein Castle is ready. Have fun!



Chrysler Building



Dale Earnhardt NASCAR #3

smooth fold →

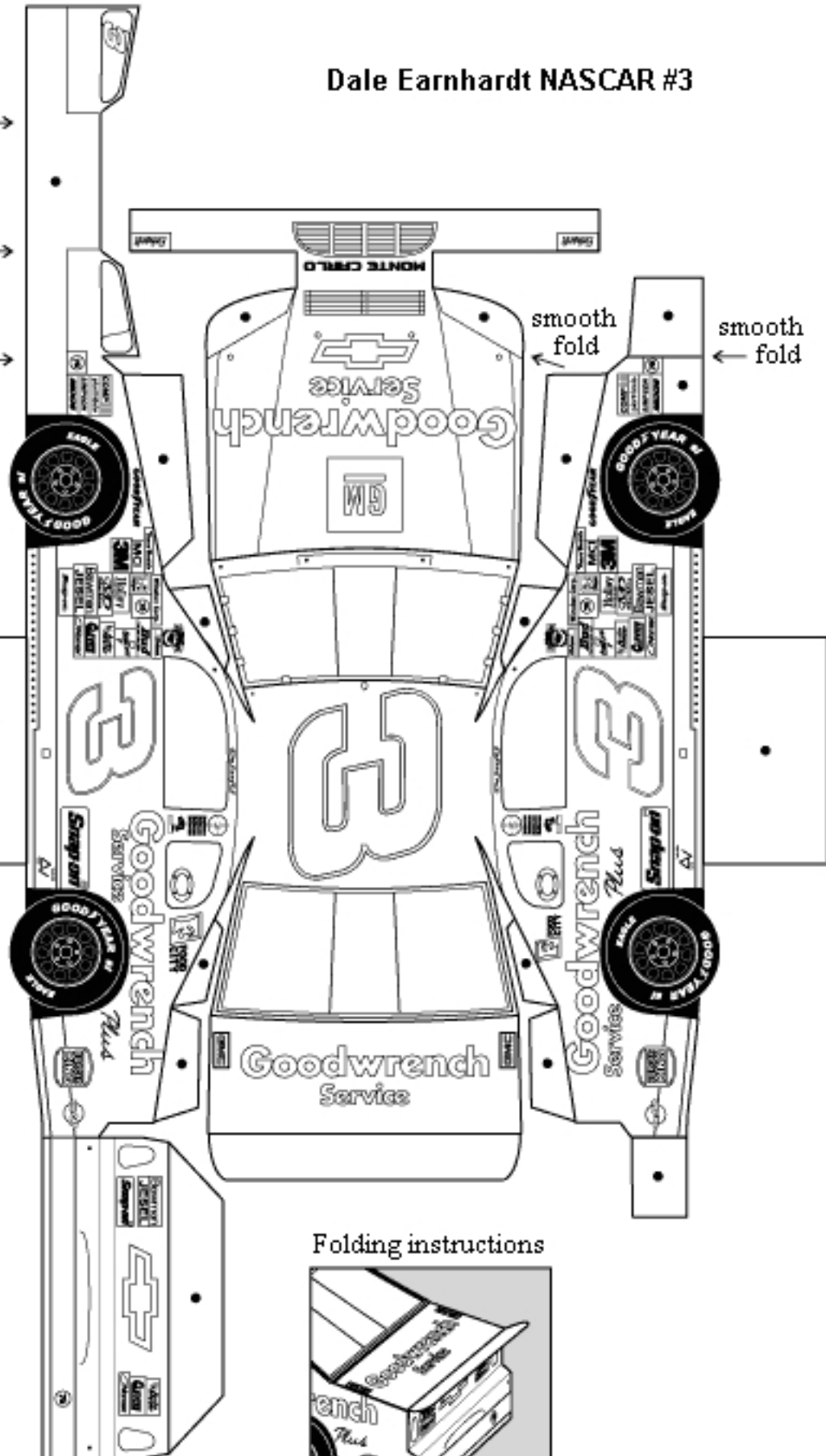
smooth fold →

smooth fold →

smooth
fold ←

smooth
fold ←

 **papertoys**
www.papertoys.com



Folding instructions



Dale Earnhardt NASCAR #3

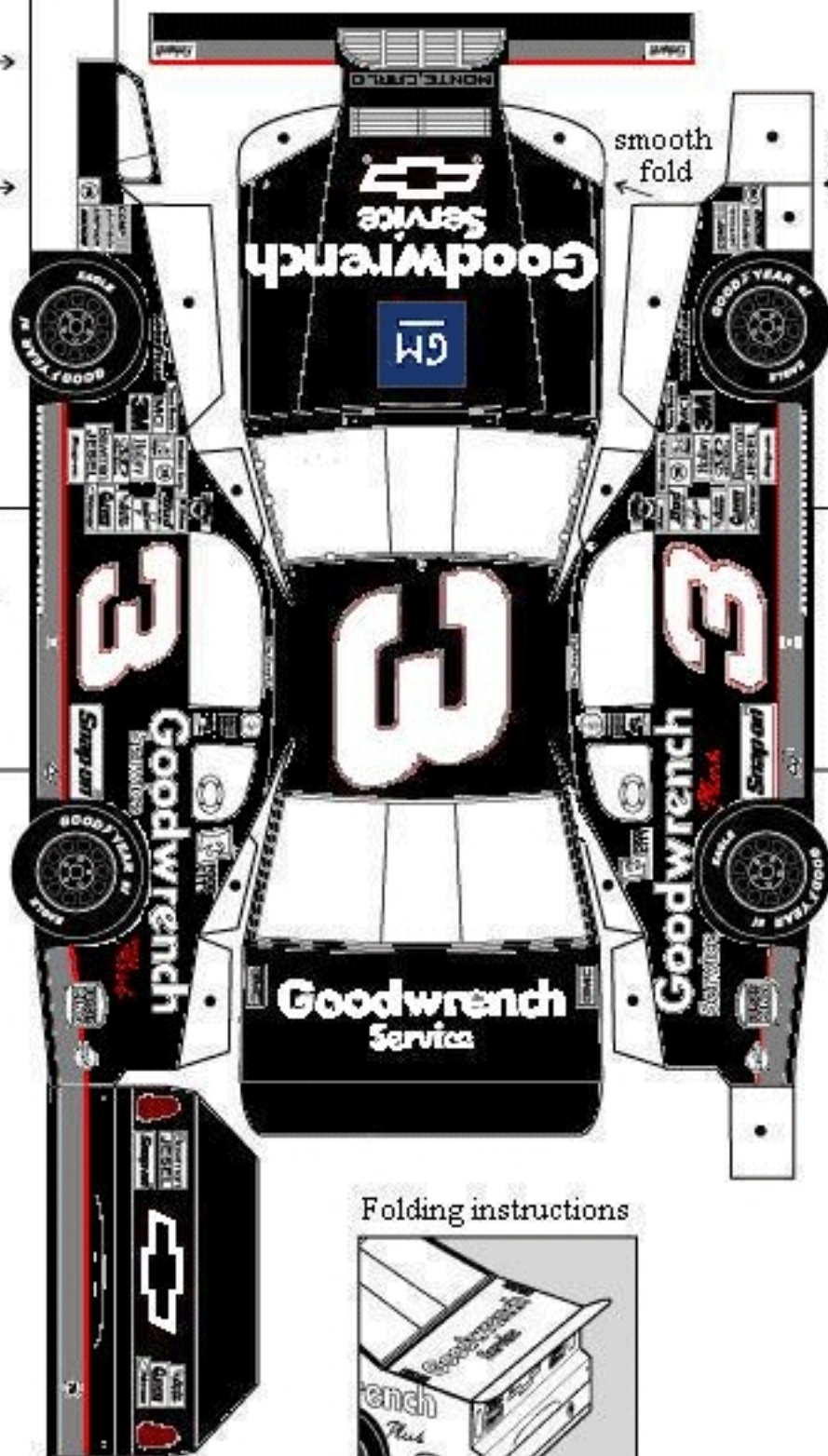
smooth fold →

smooth fold →

smooth fold →

smooth
fold ←

smooth
fold ←



 papertoys
www.papertoys.com

Folding instructions





15-02-02

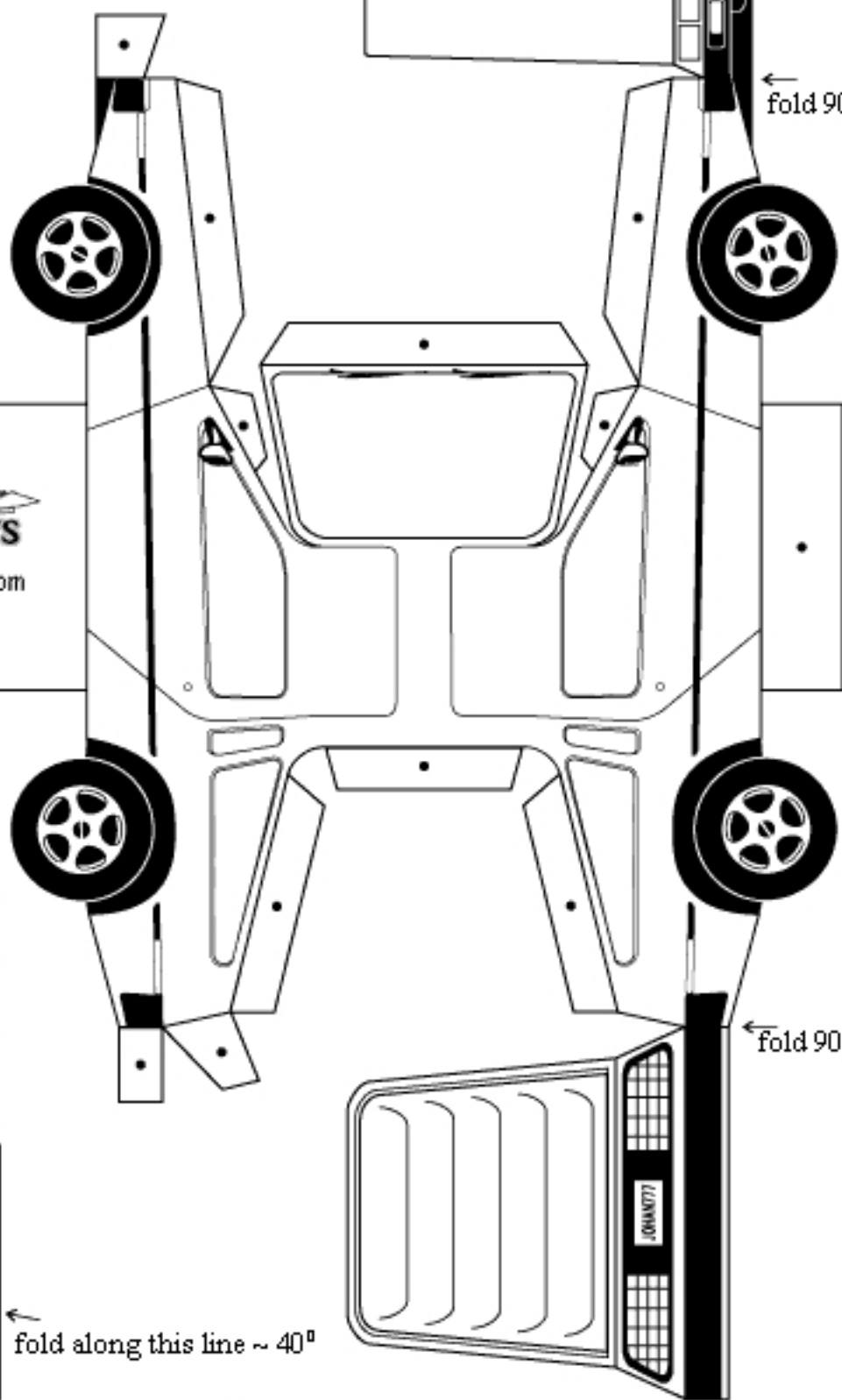
DeLorean

not fold

fold 90°

fold 90°

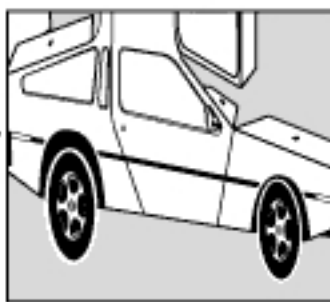
fold ~10° ↑



papertoys

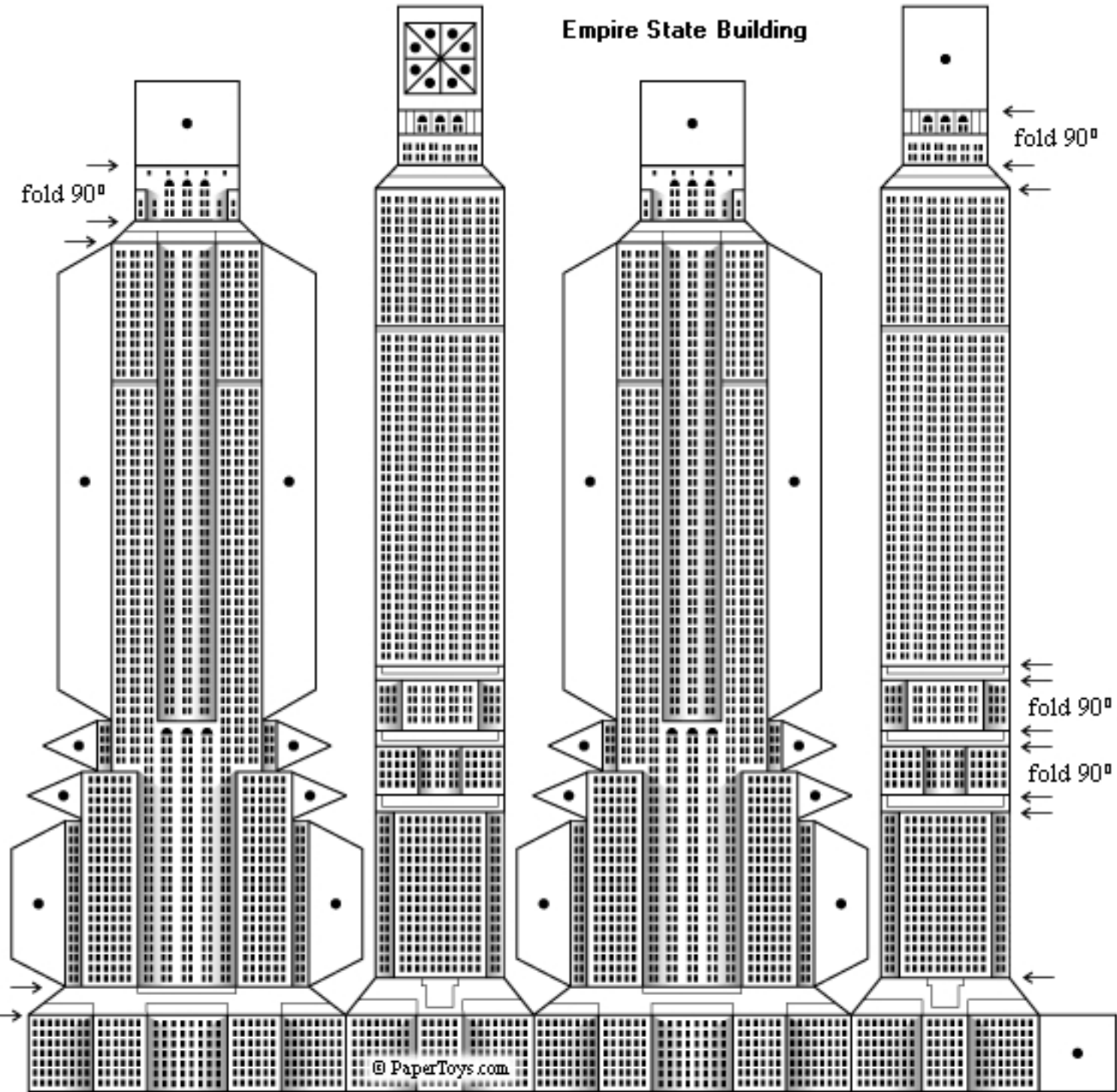
www.papertoys.com

Folding instructions



fold along this line ~ 40°

Empire State Building

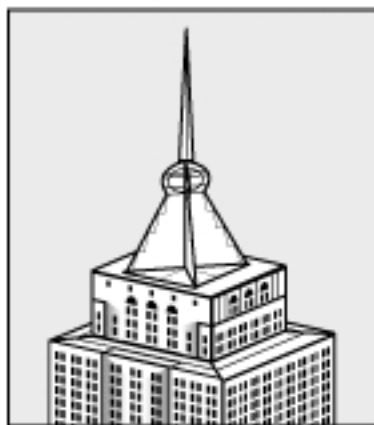


Folding instructions ↑

↑ fold 90°

↑ fold 90°

↑



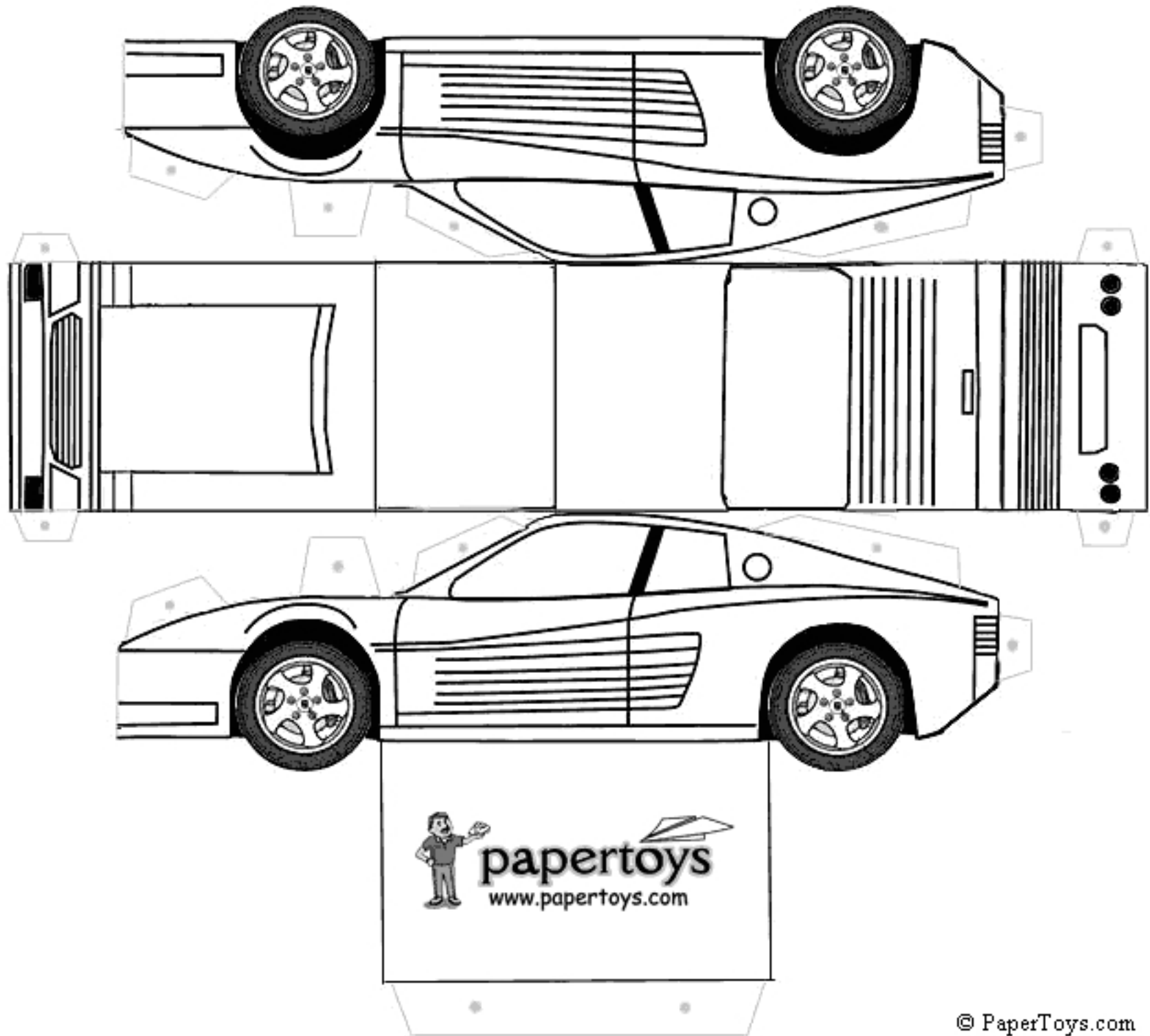
glue side parts together

fold 90° →

↑ fold 90°

←

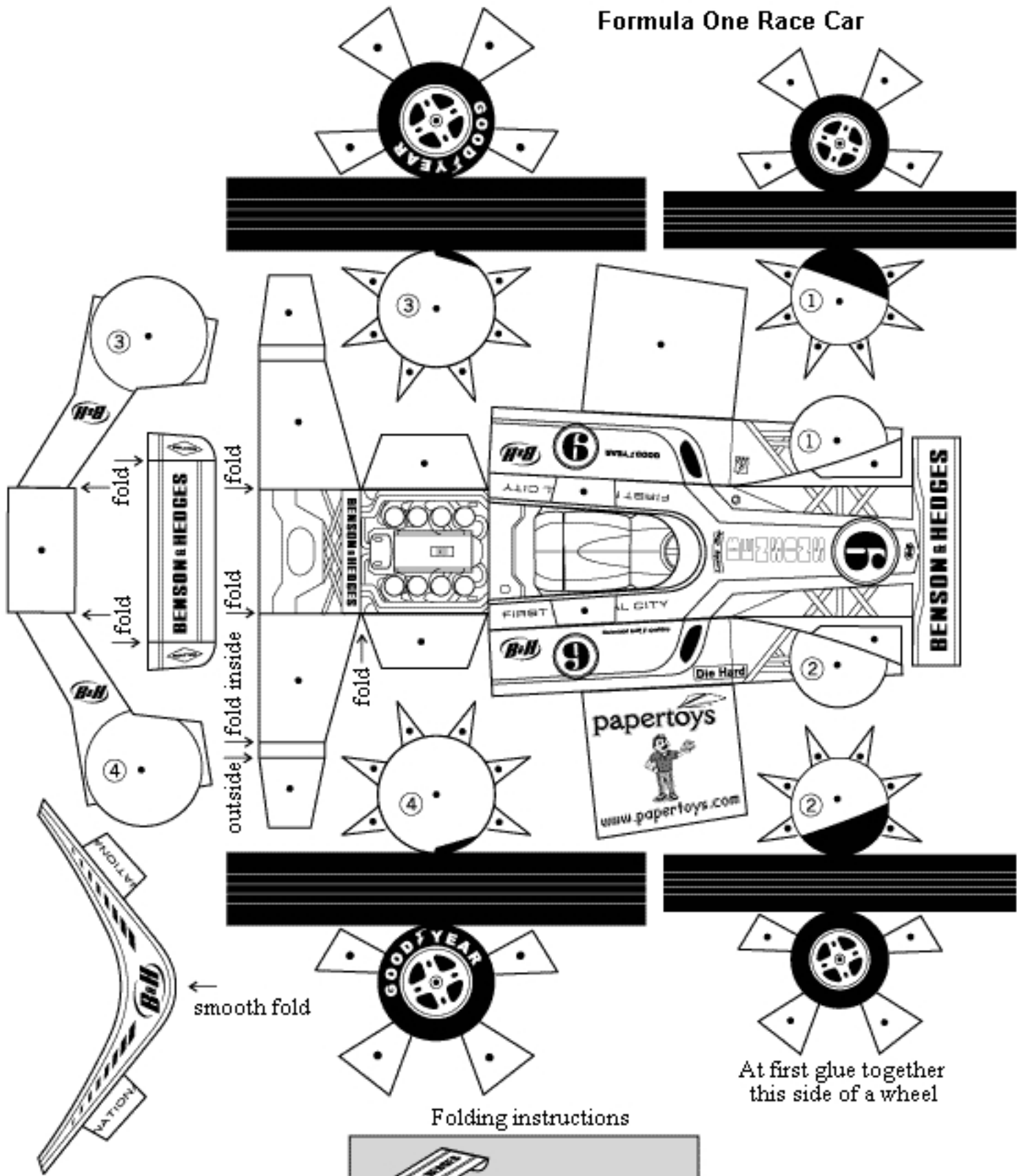
© PaperToys.com



papertoys

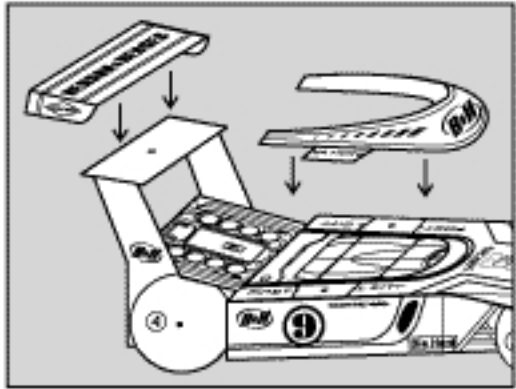
www.papertoys.com

Formula One Race Car

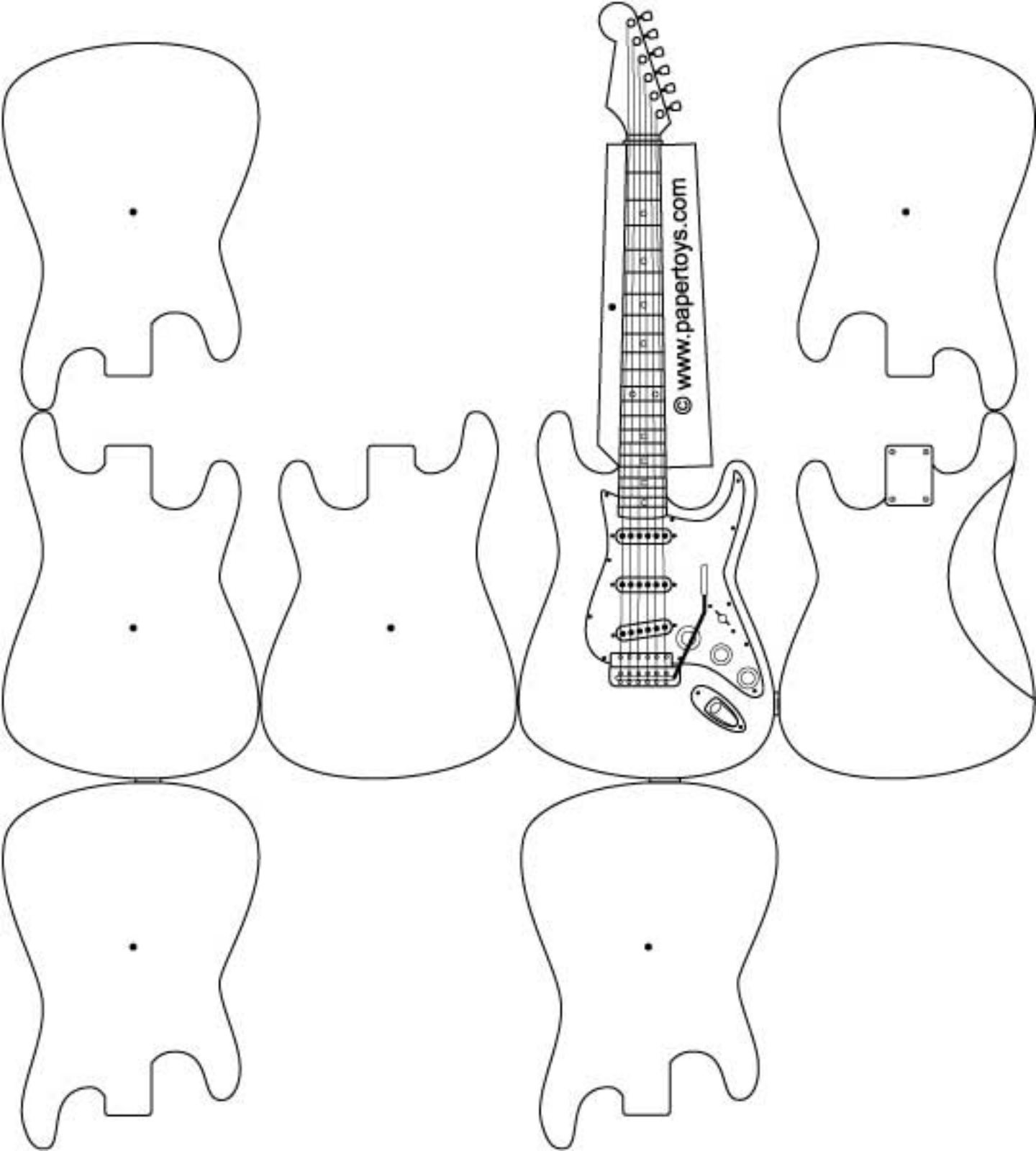


smooth fold

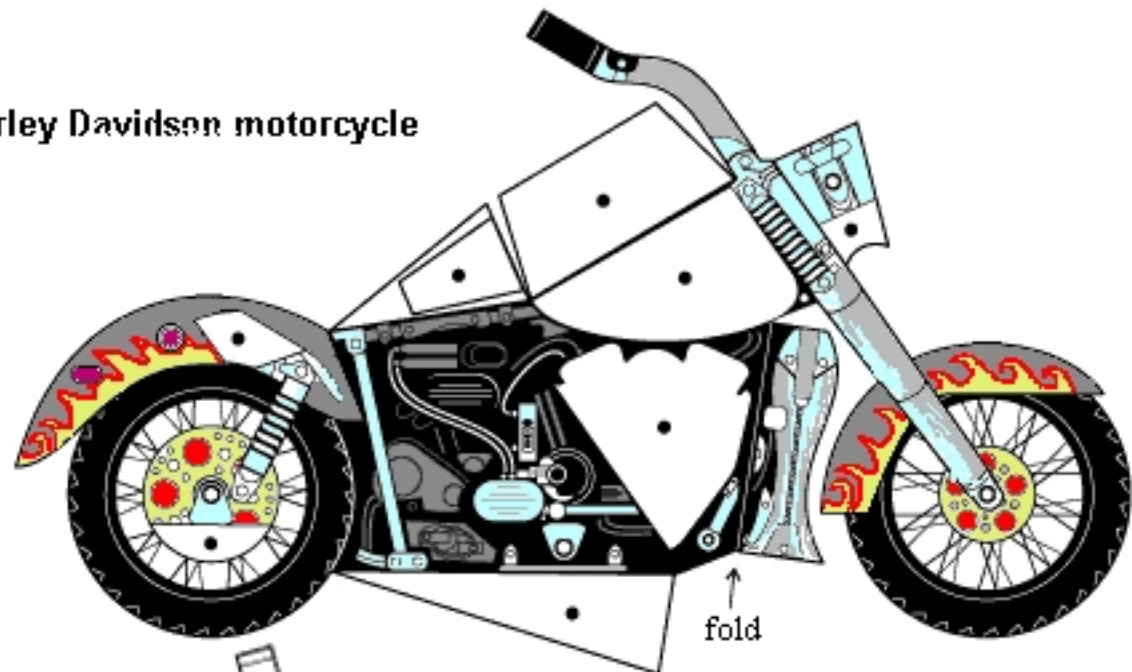
Folding instructions



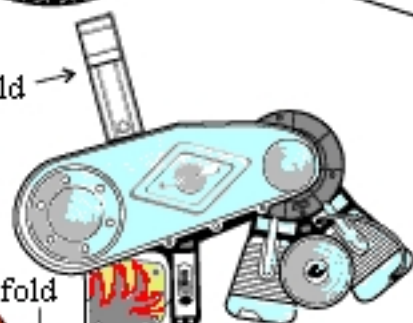
At first glue together this side of a wheel



Harley Davidson motorcycle



fold



smooth fold

fold

fold

smooth fold

smooth fold

fold
inside
fold
outside

smooth fold
90°

fold

fold

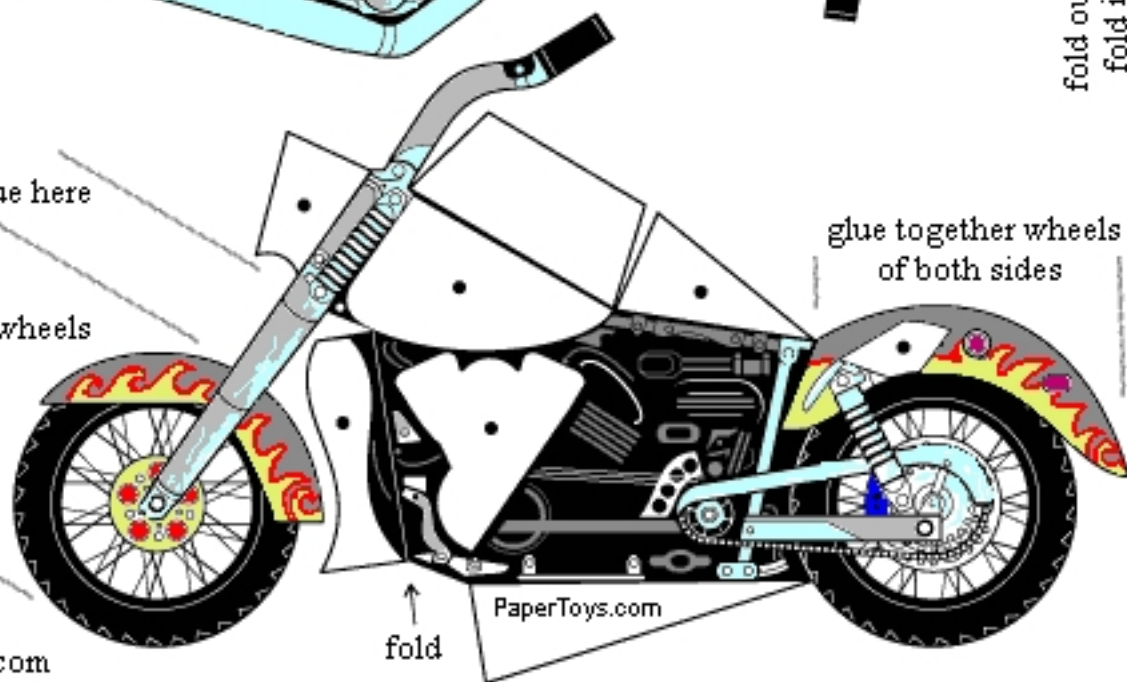
fold outside ~160°

fold inside ~160°

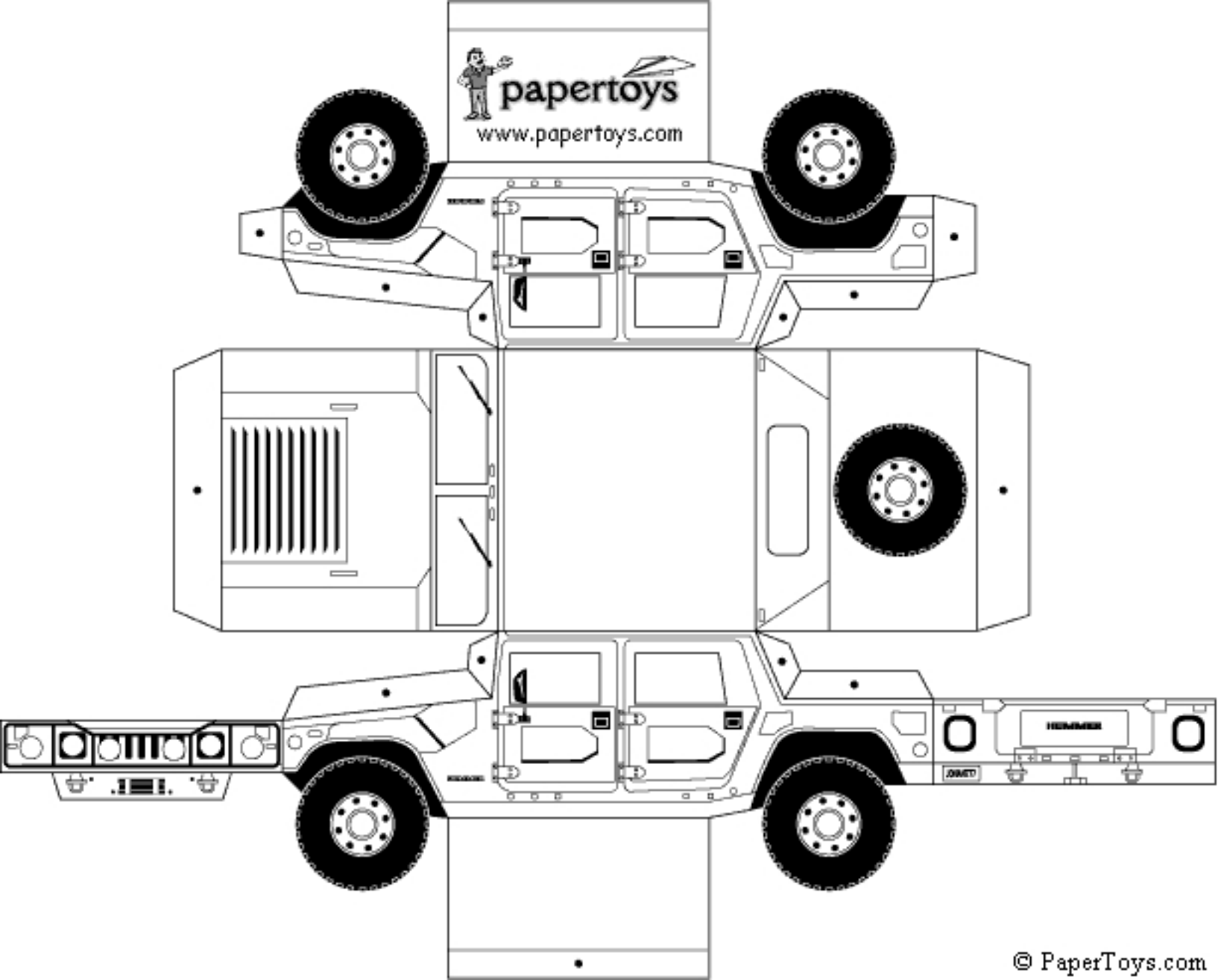
not glue here

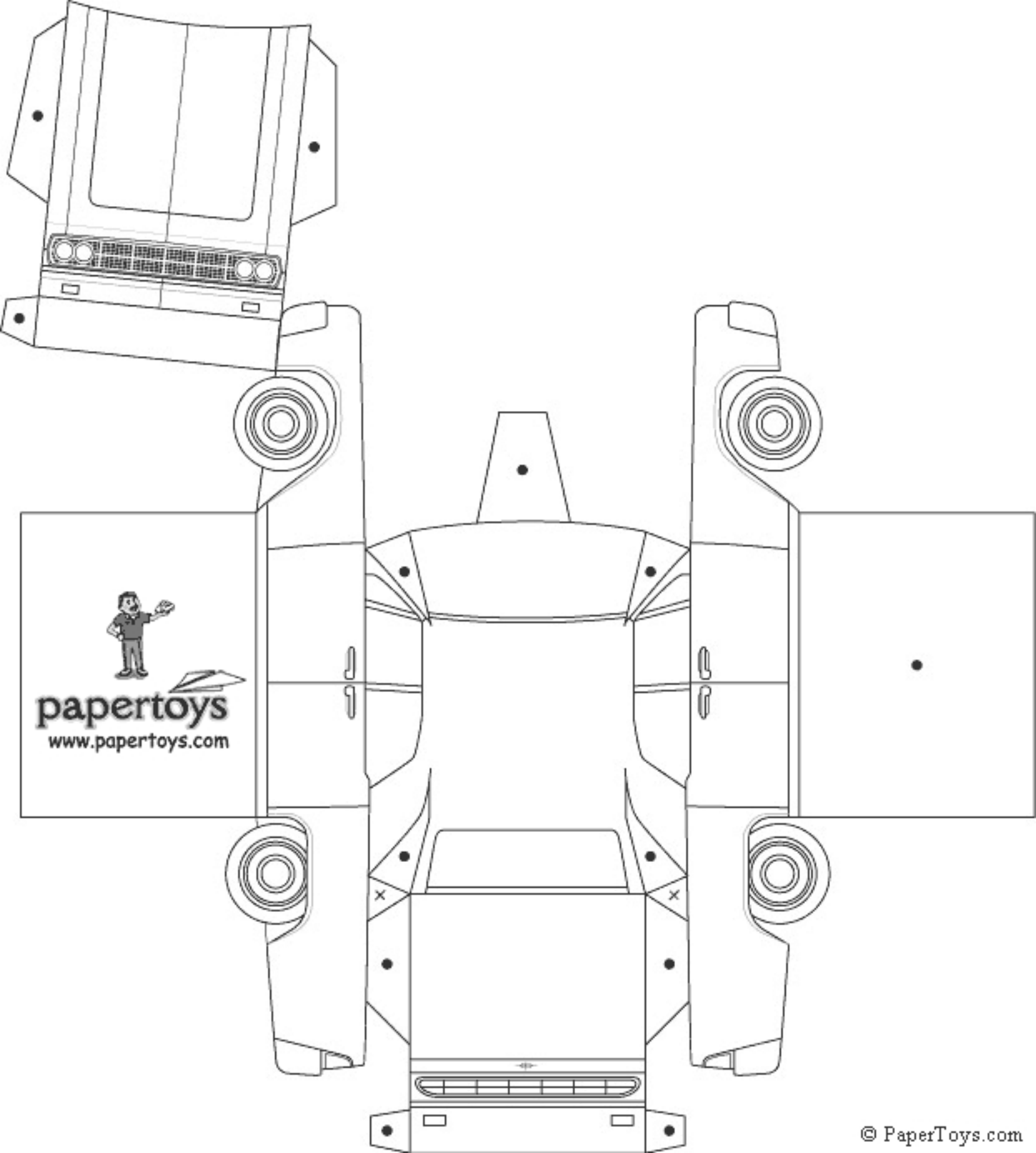
glue together wheels
of both sides

glue together wheels
of both sides



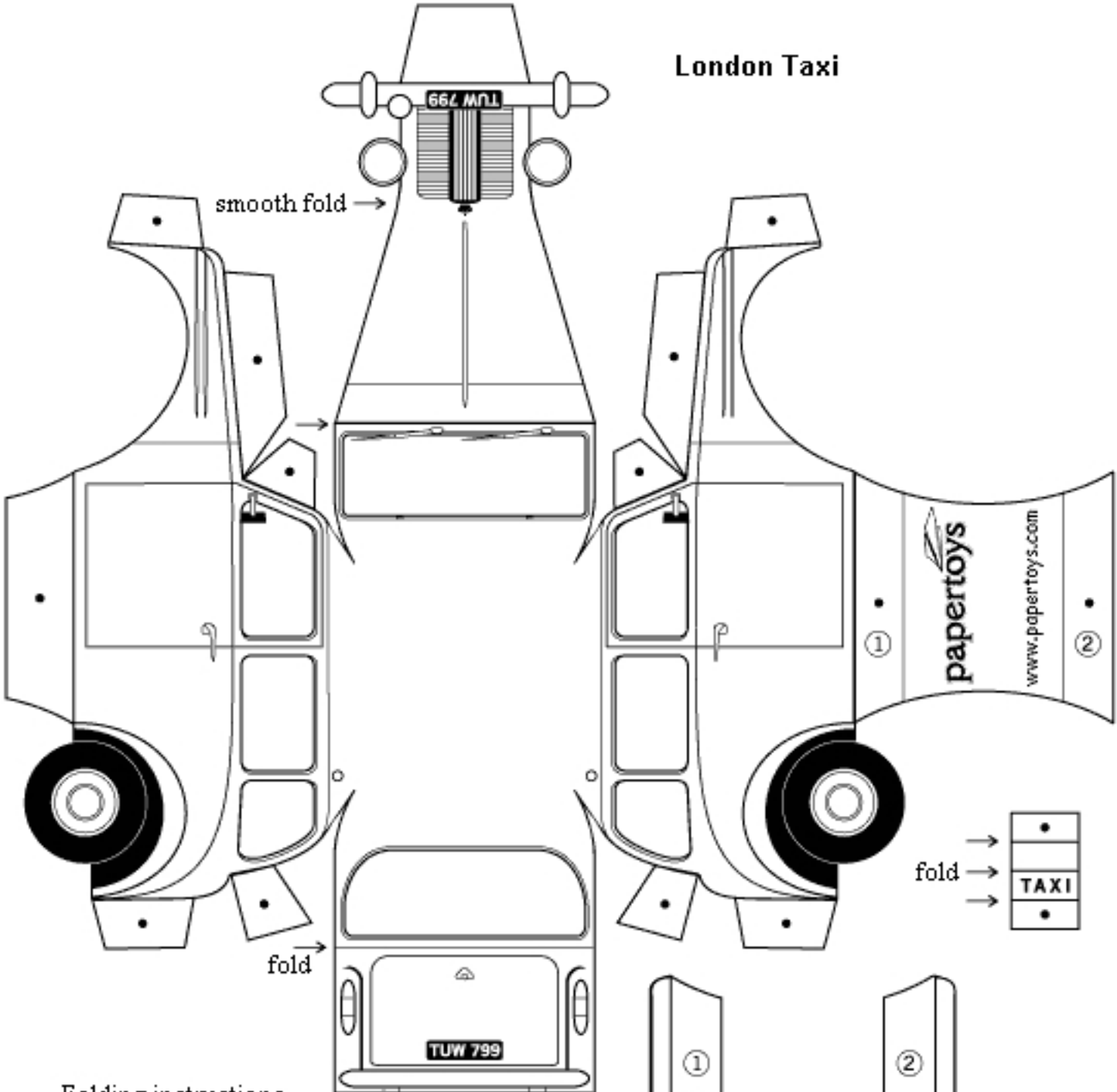
fold



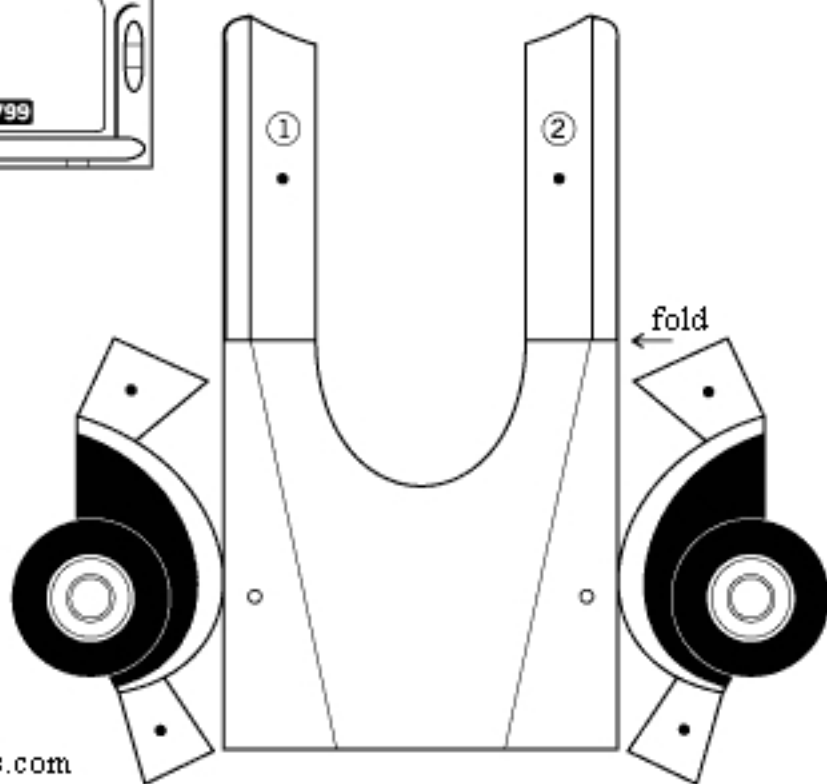
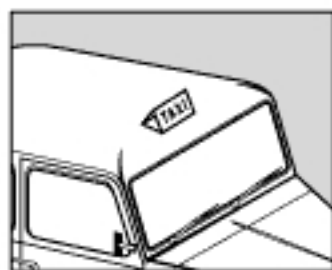


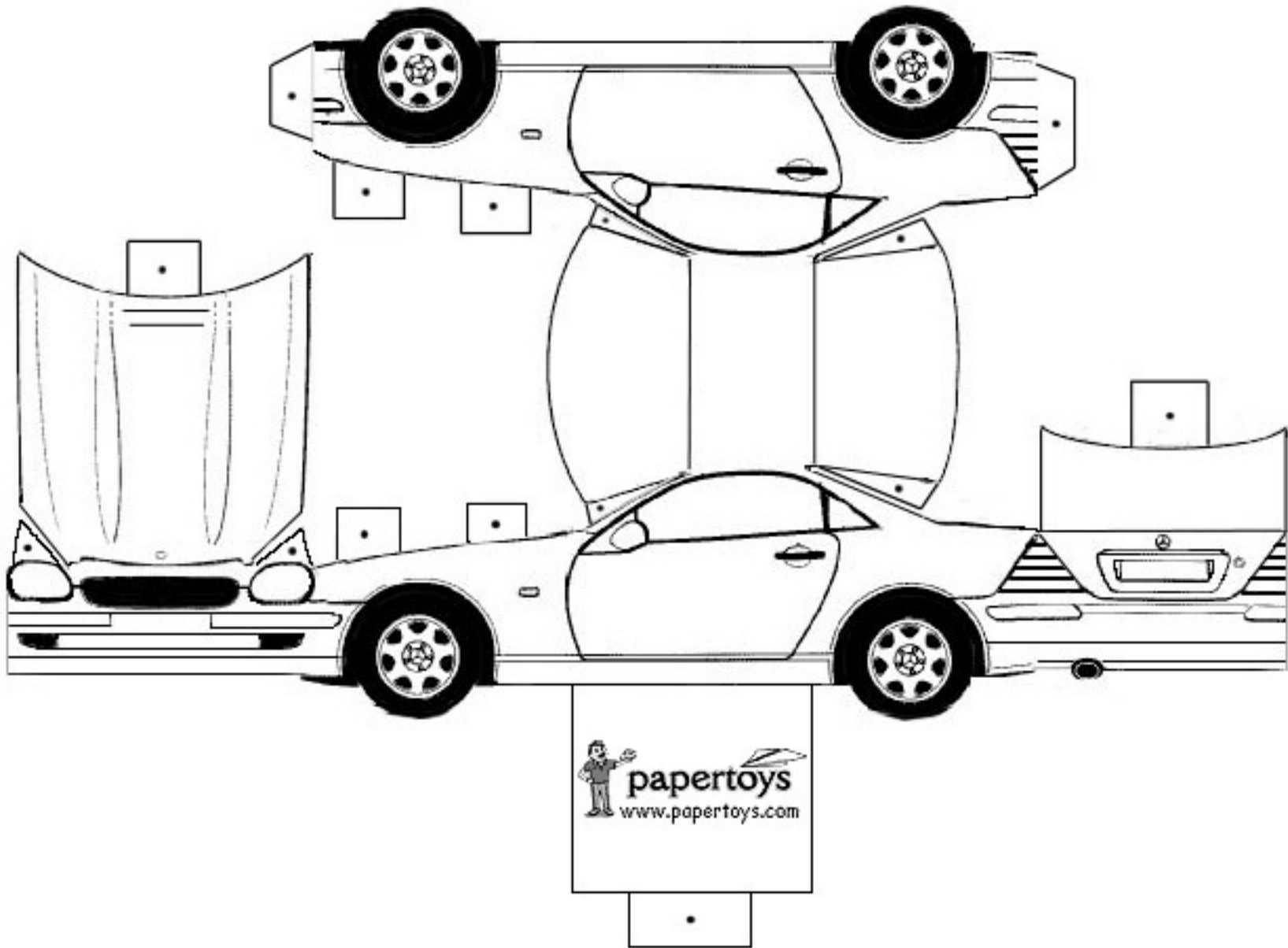

papertoys
www.papertoys.com

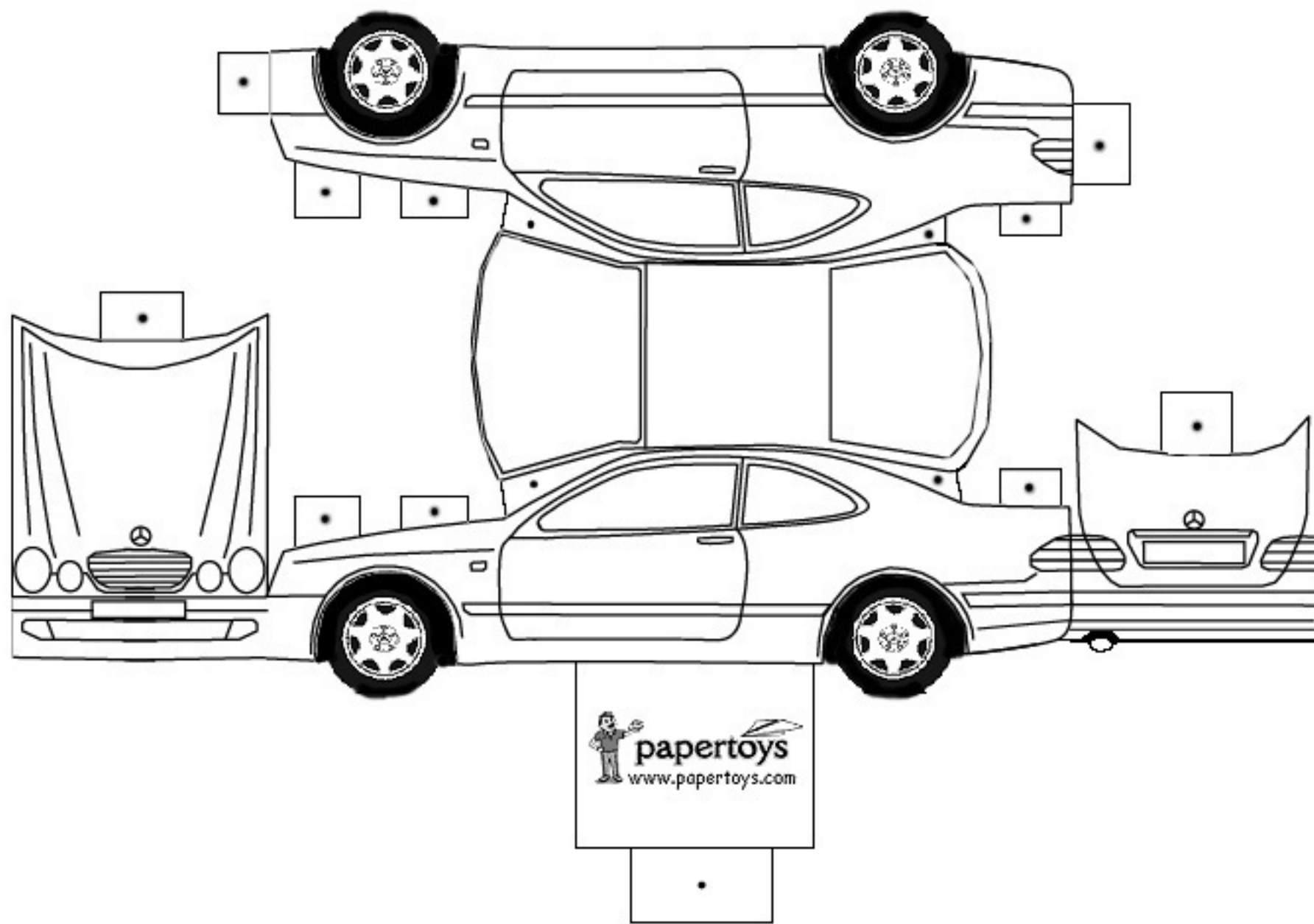
London Taxi



Folding instructions

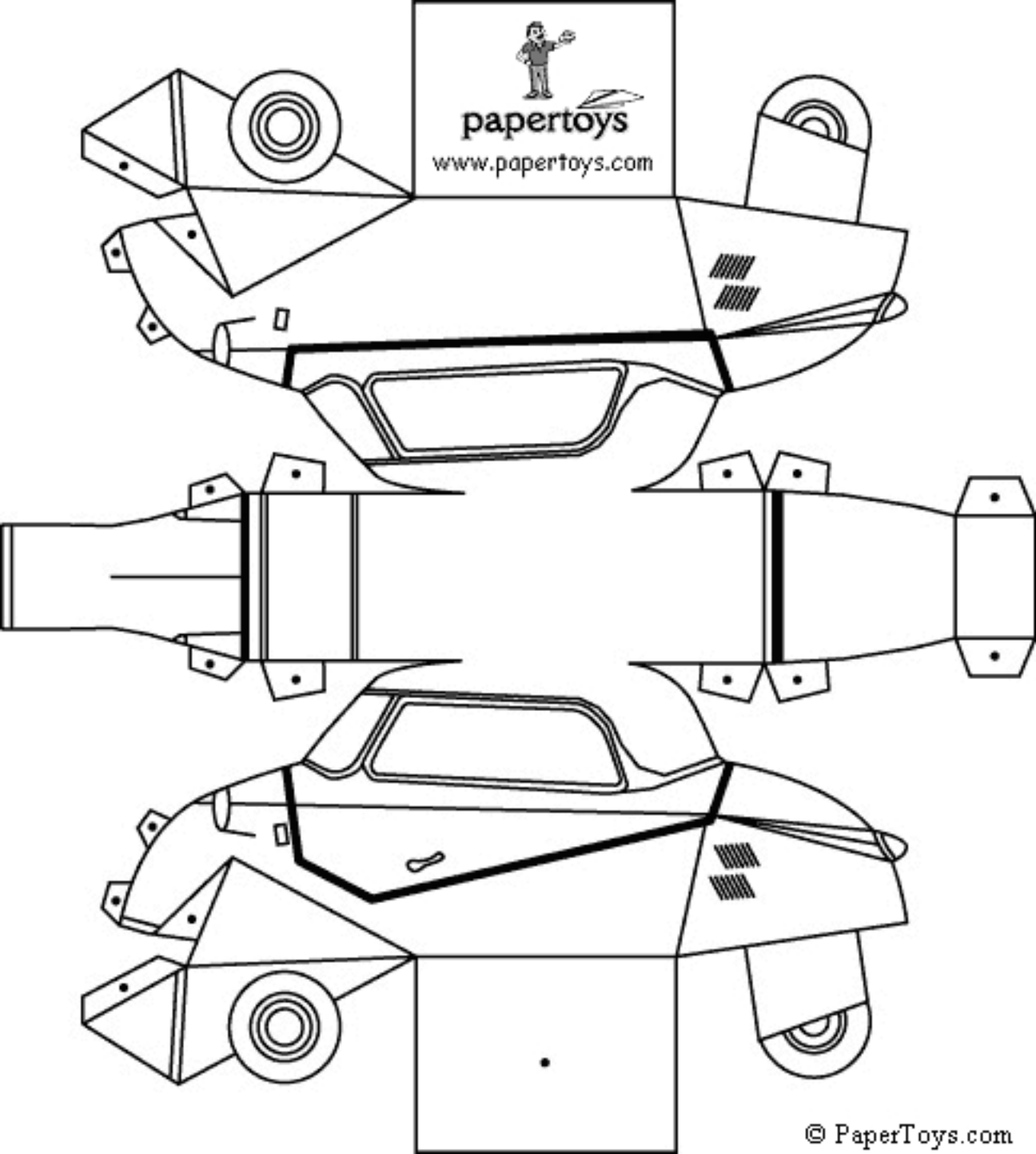


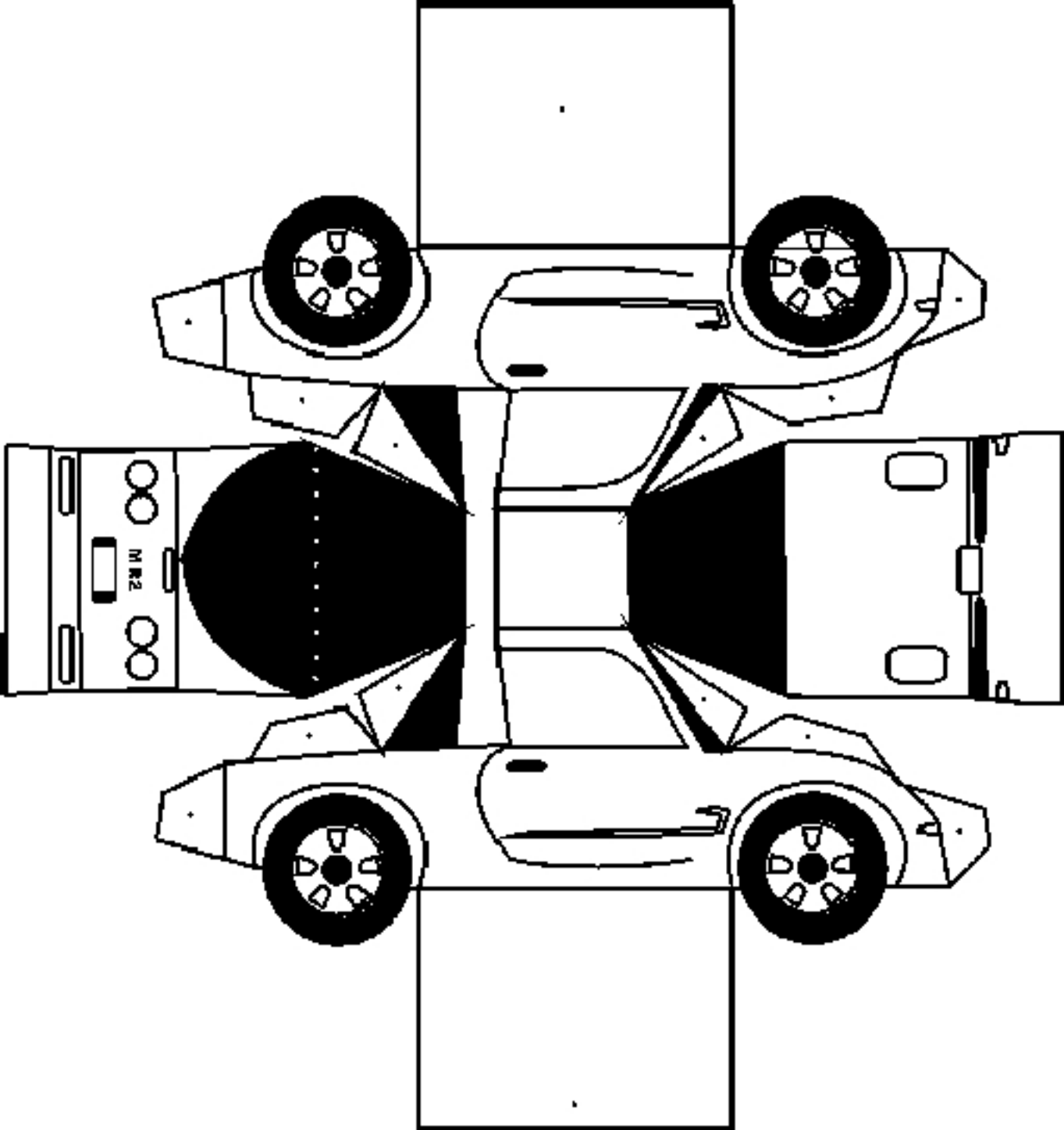






papertoys
www.papertoys.com

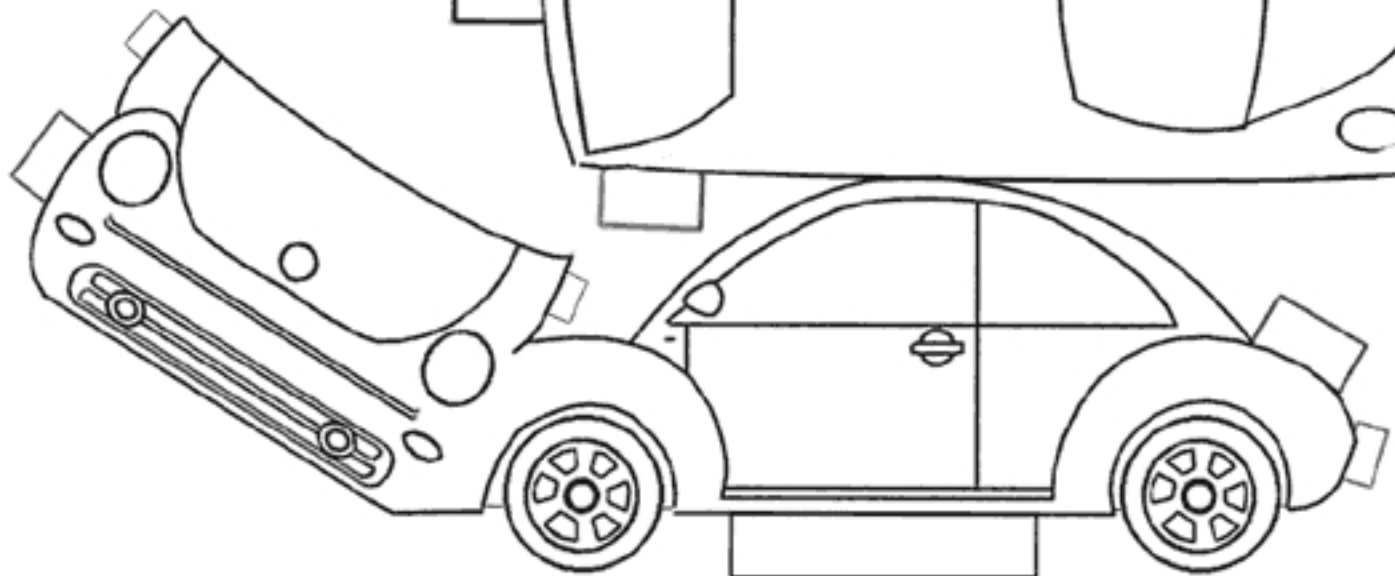
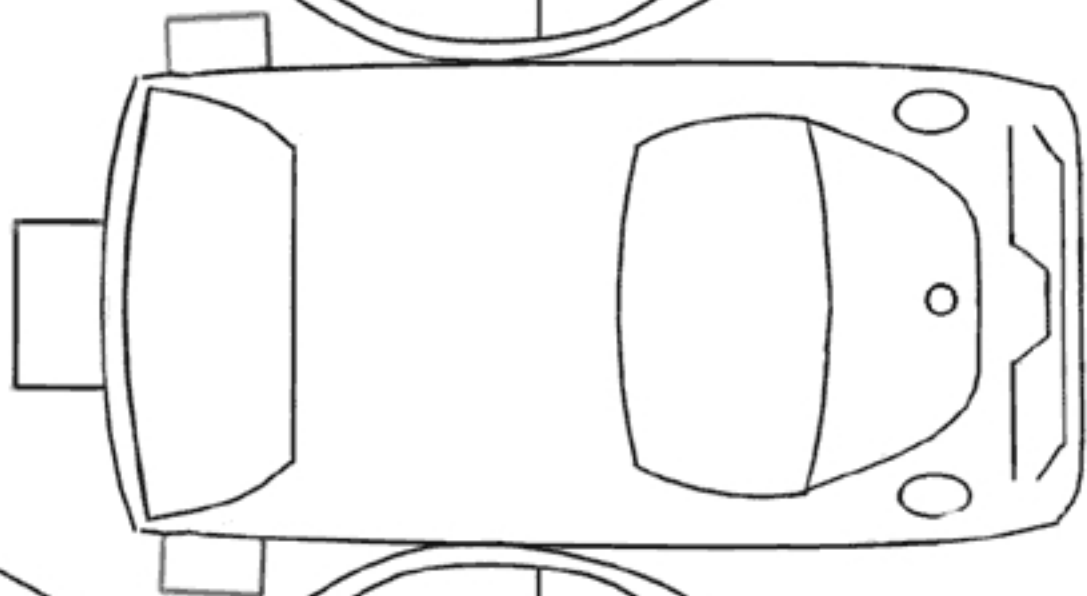


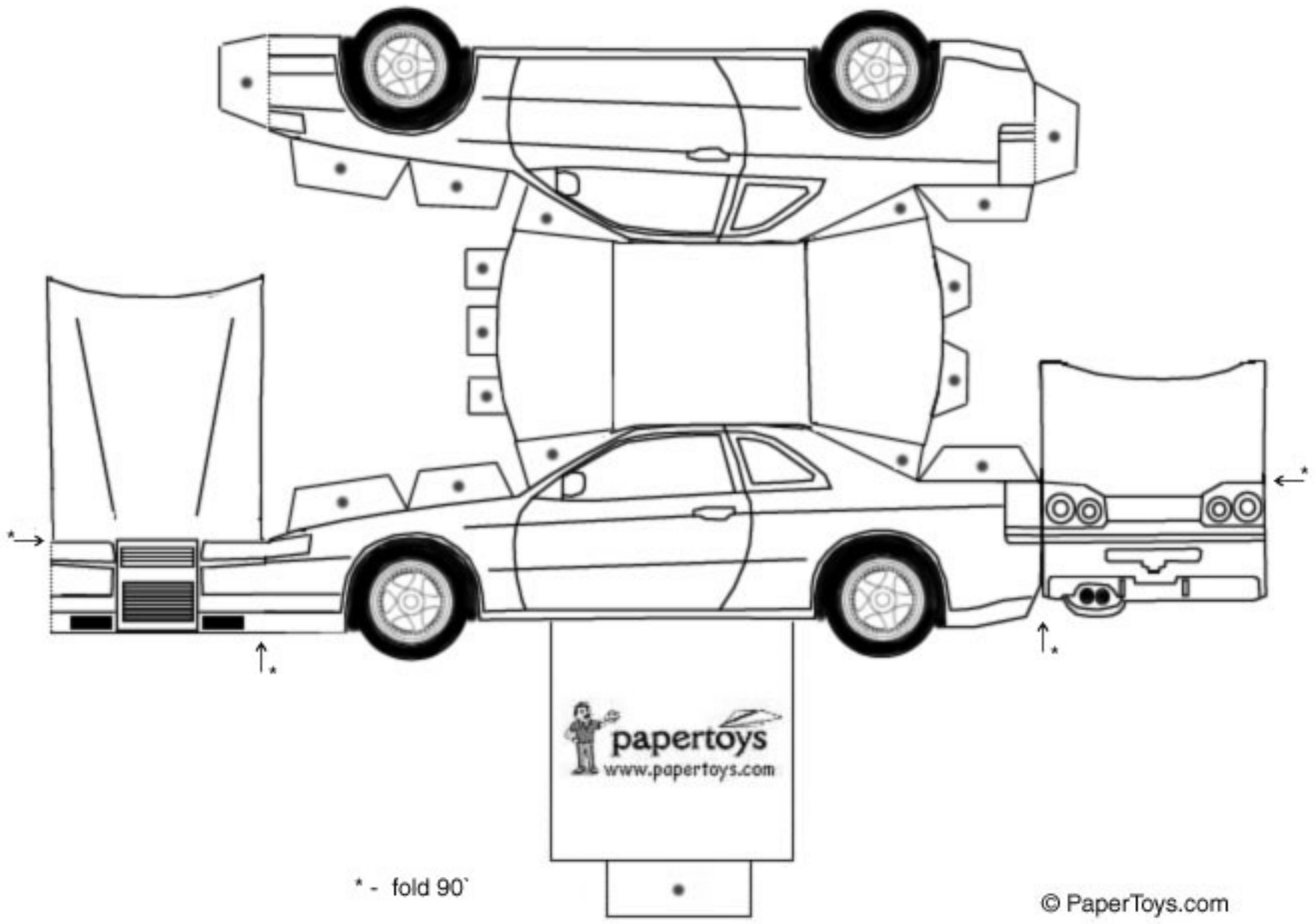




papertoys

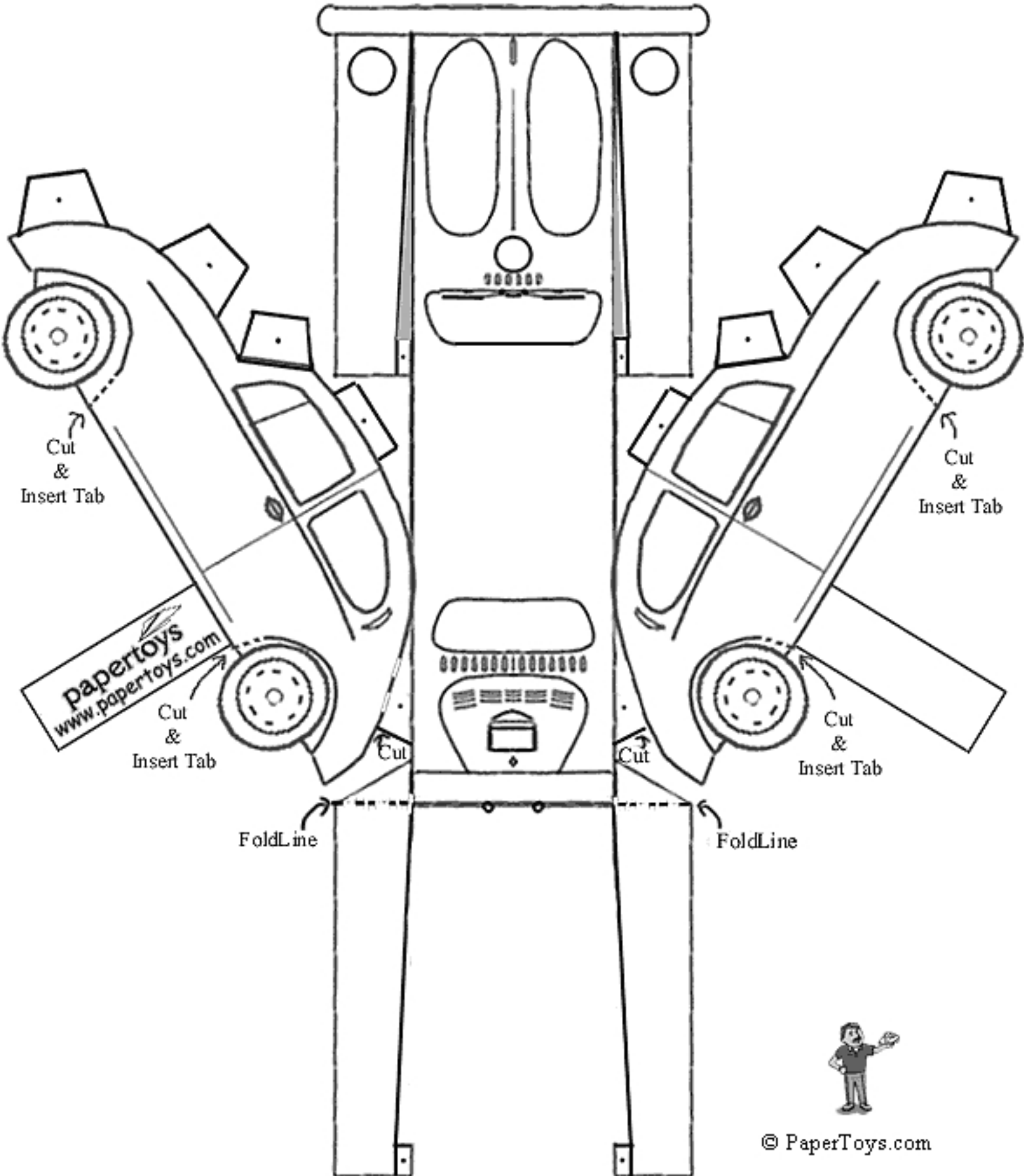
www.papertoys.com

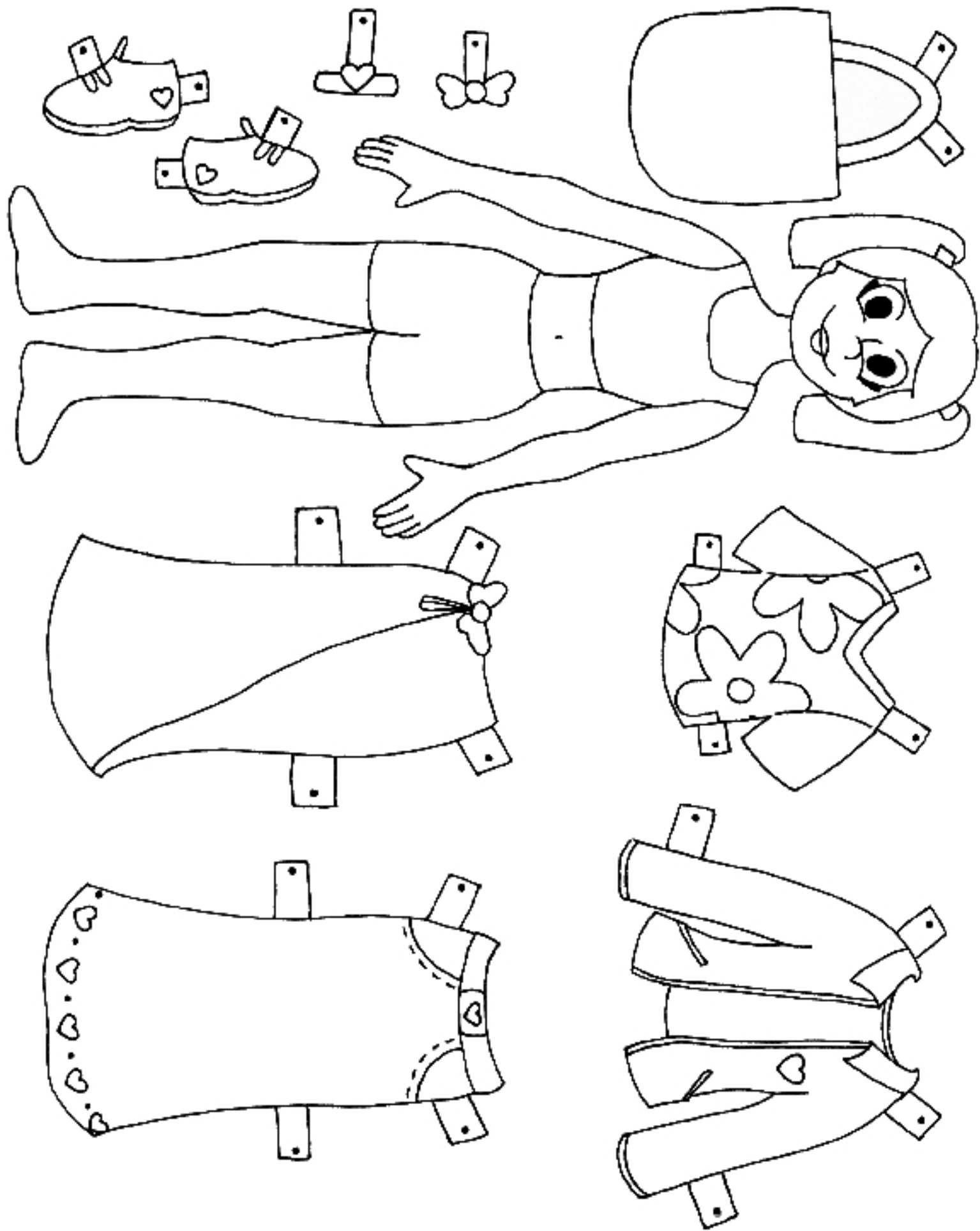




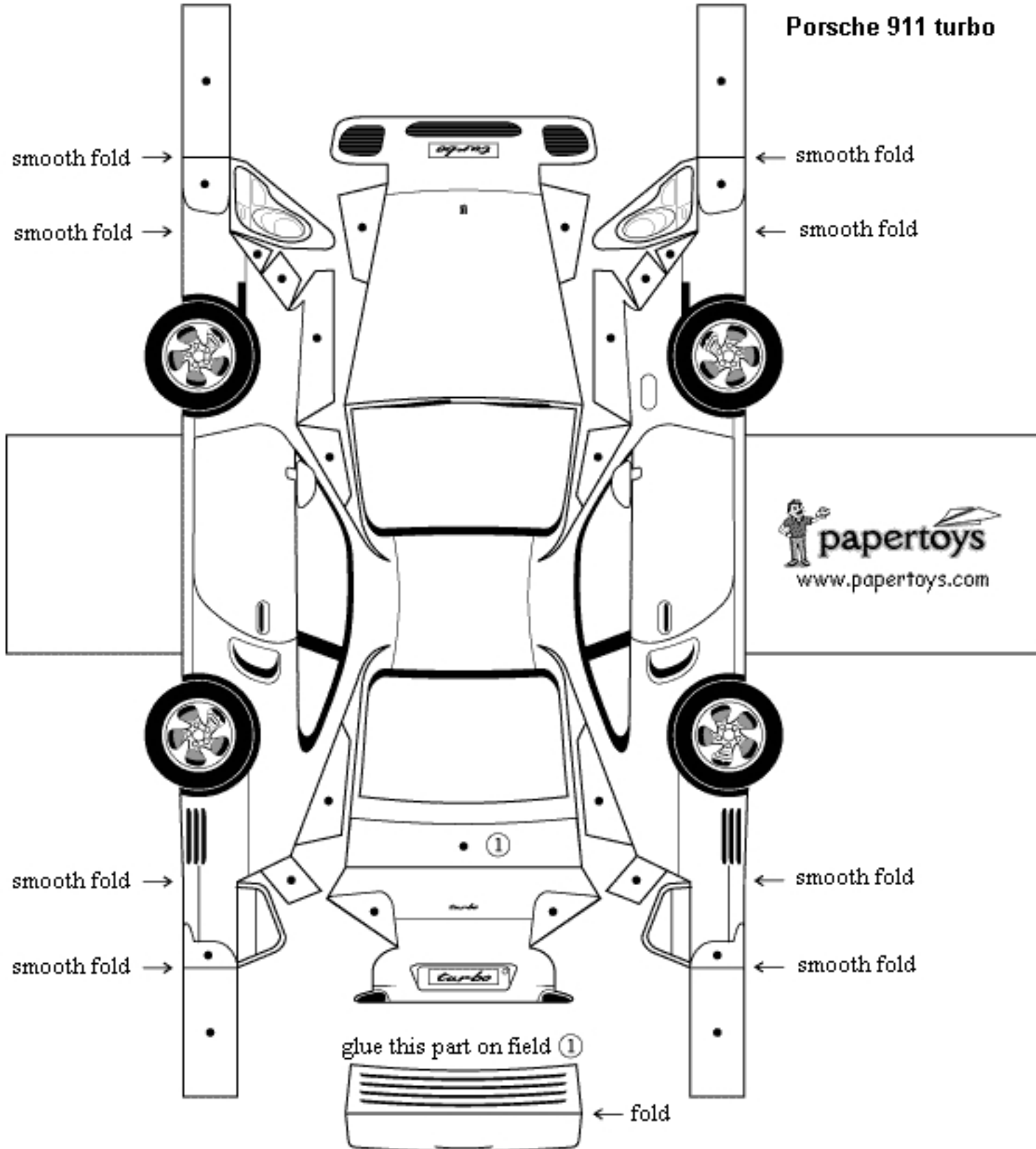
* - fold 90°

© PaperToys.com





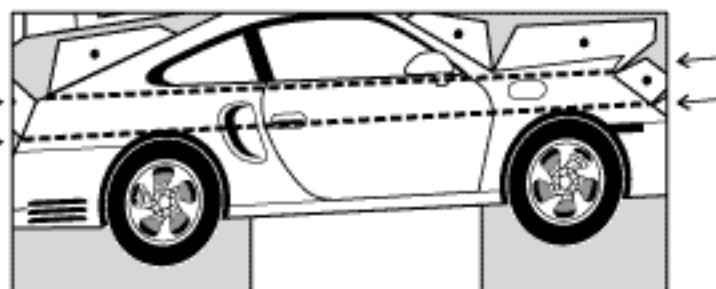
Porsche 911 turbo



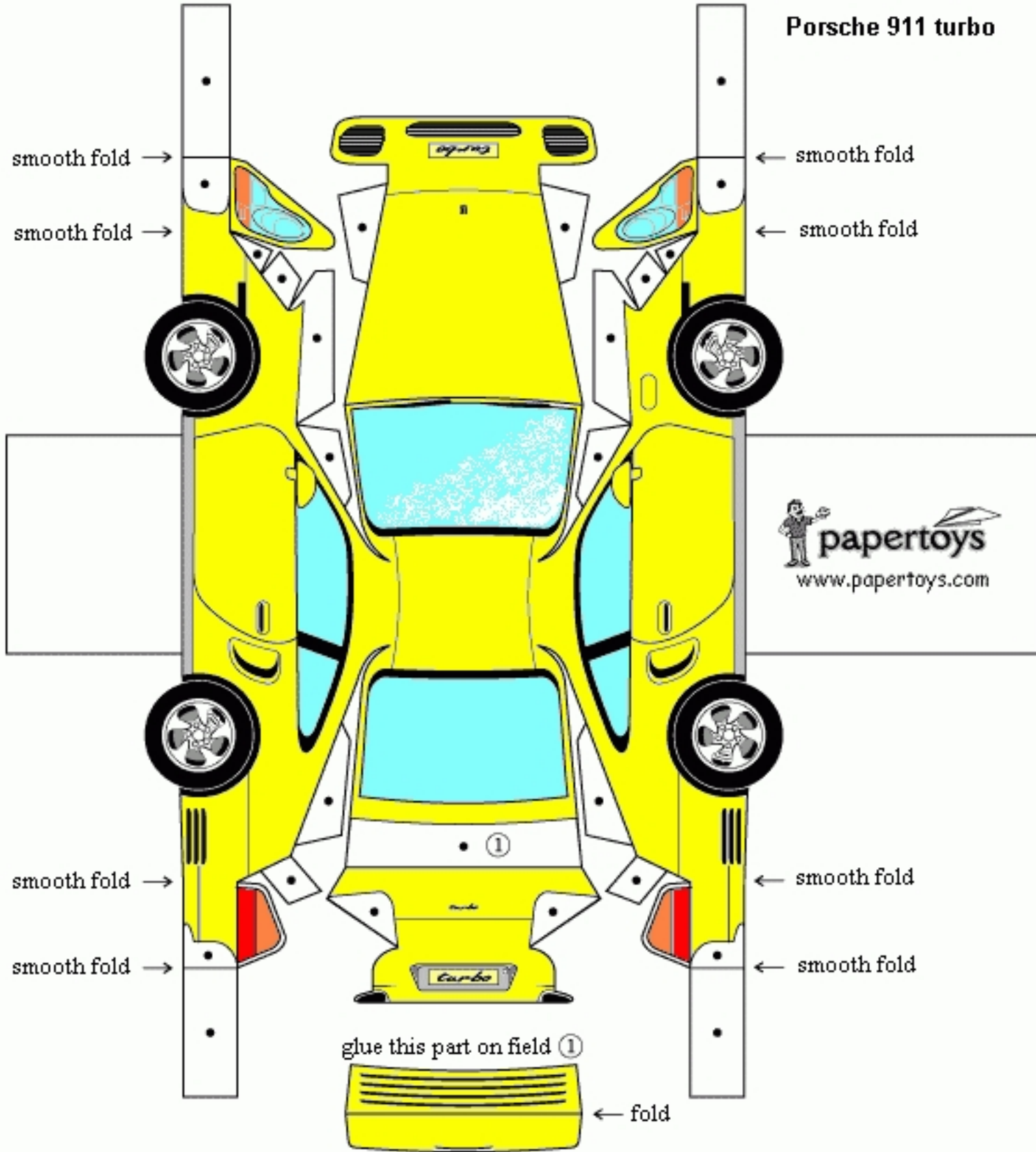
Folding instructions

fold the car outside along this line →

fold the car inside along this line →



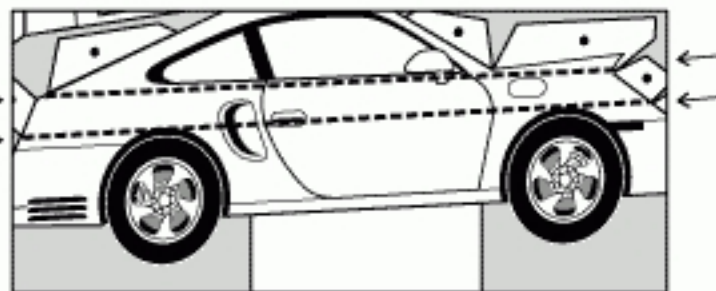
Porsche 911 turbo



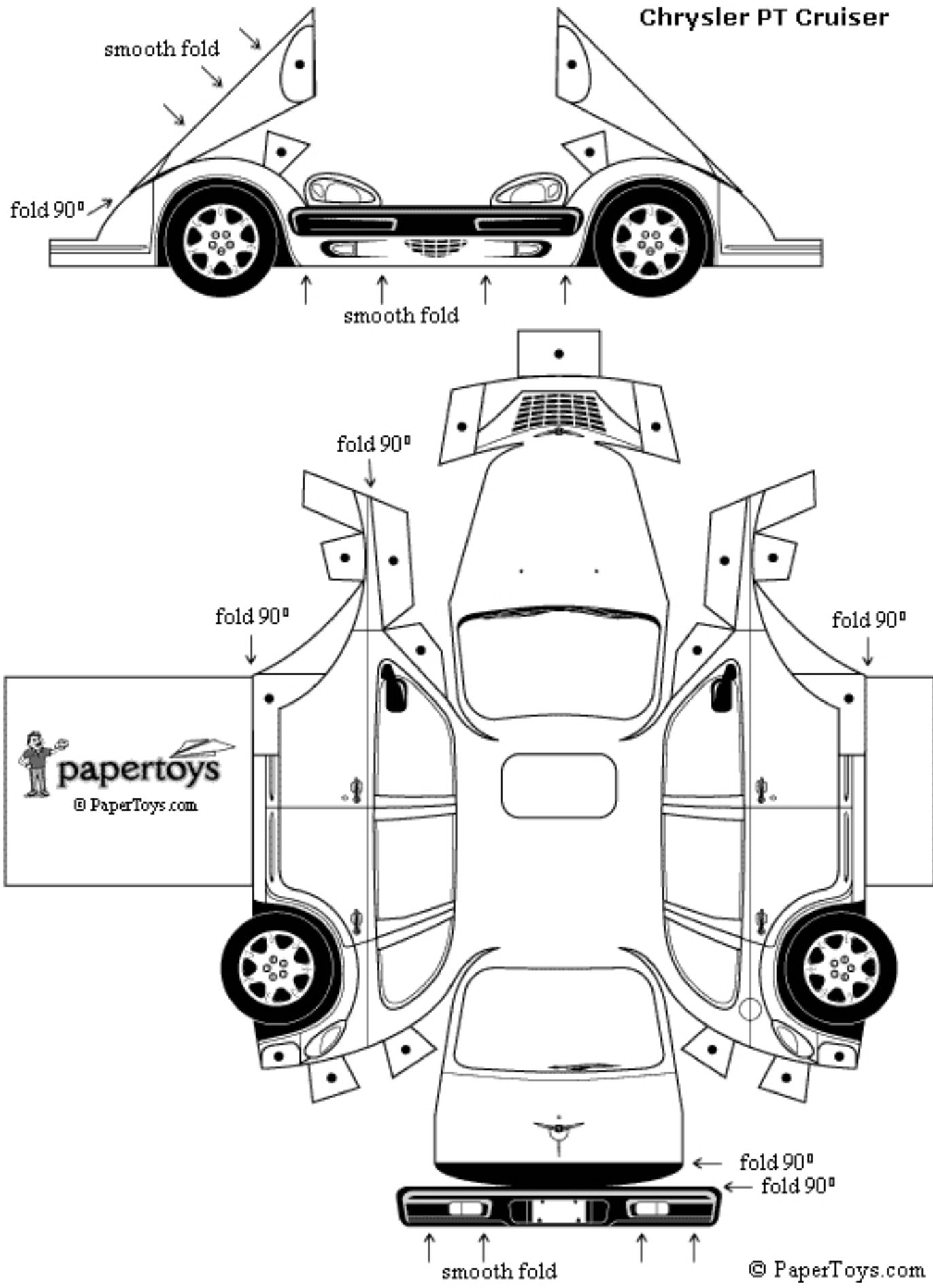
Folding instructions

fold the car outside along this line →

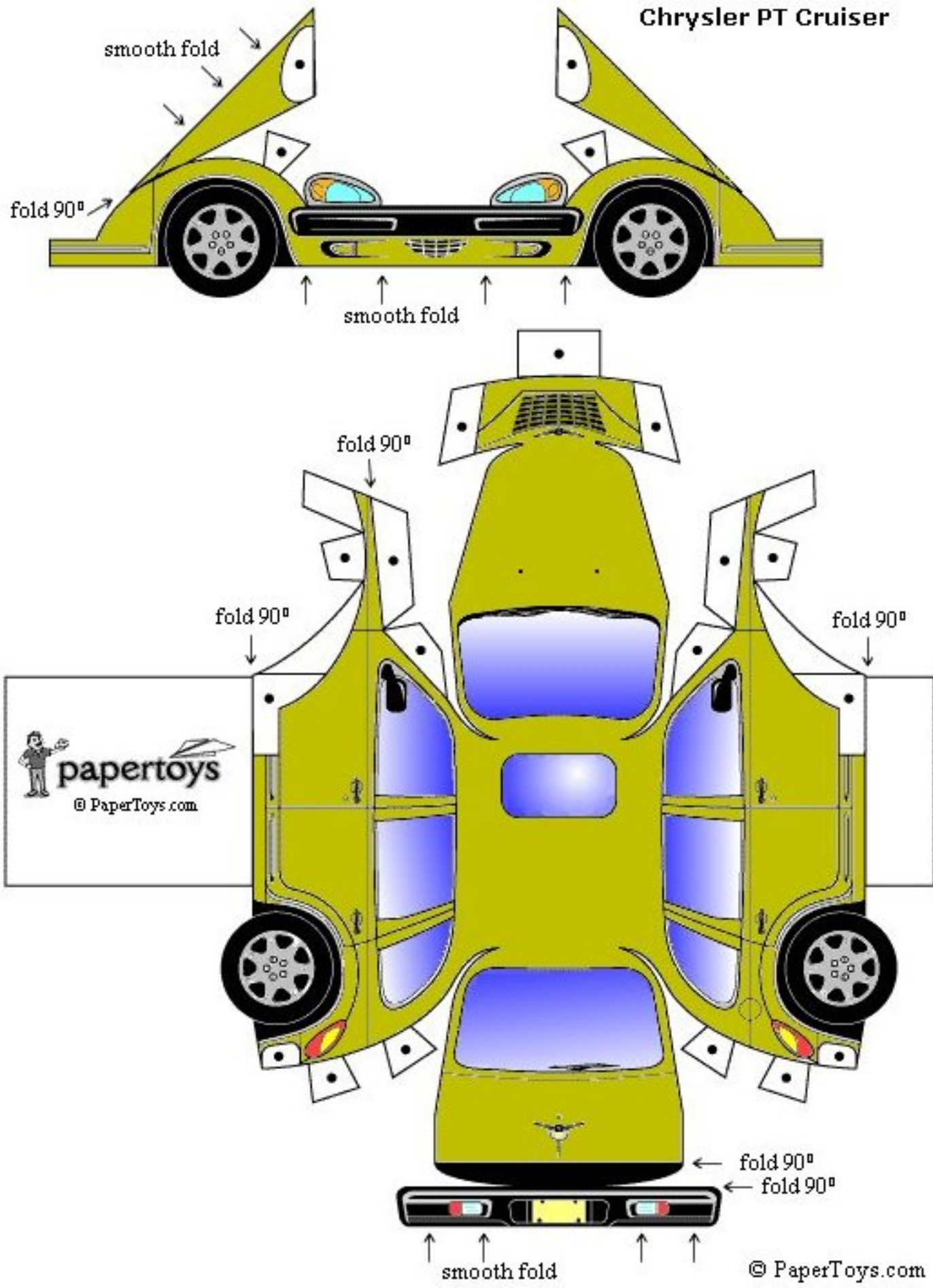
fold the car inside along this line →



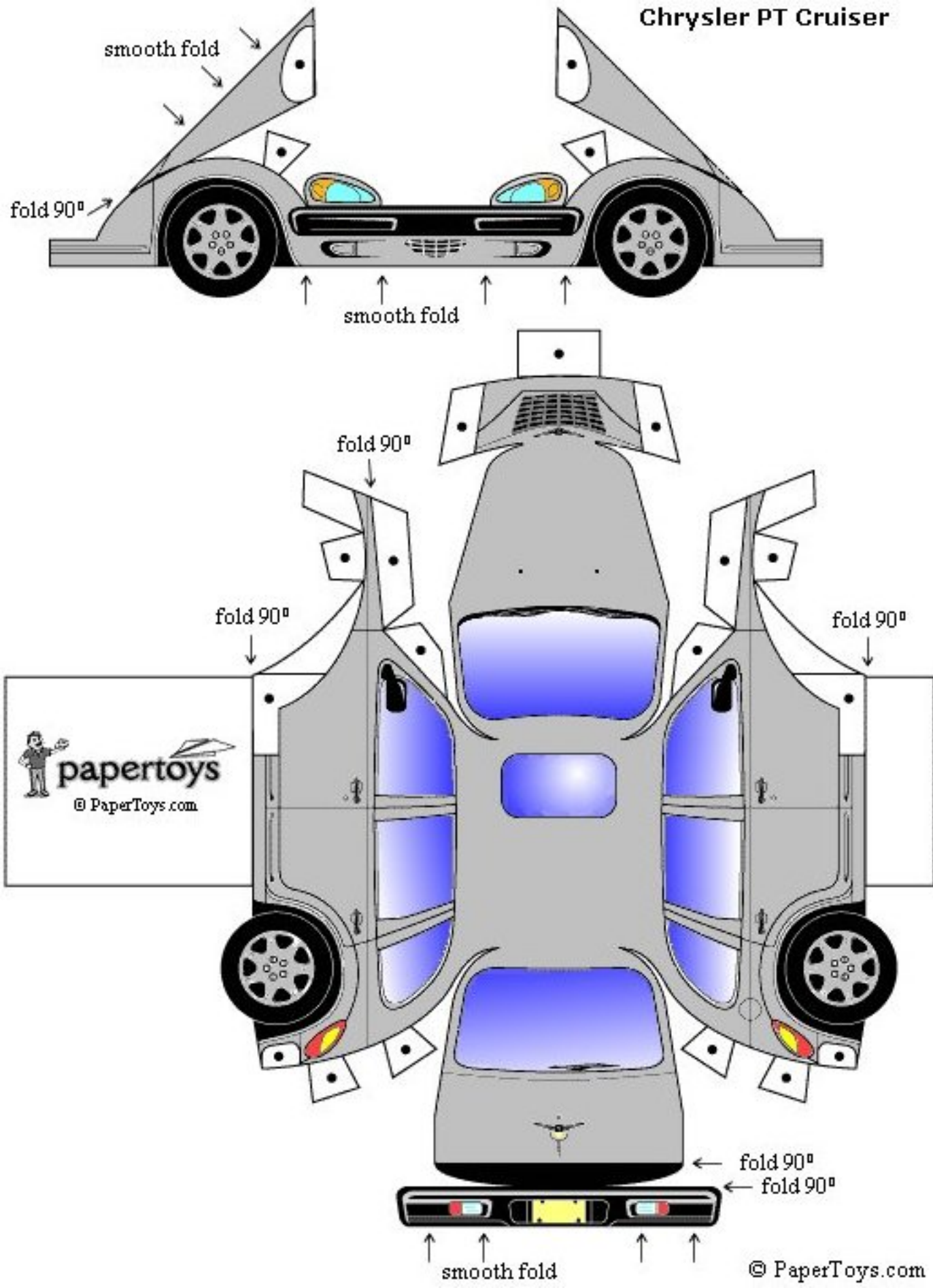
Chrysler PT Cruiser



Chrysler PT Cruiser

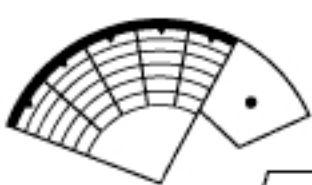
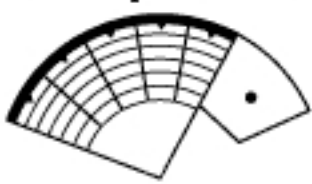


Chrysler PT Cruiser

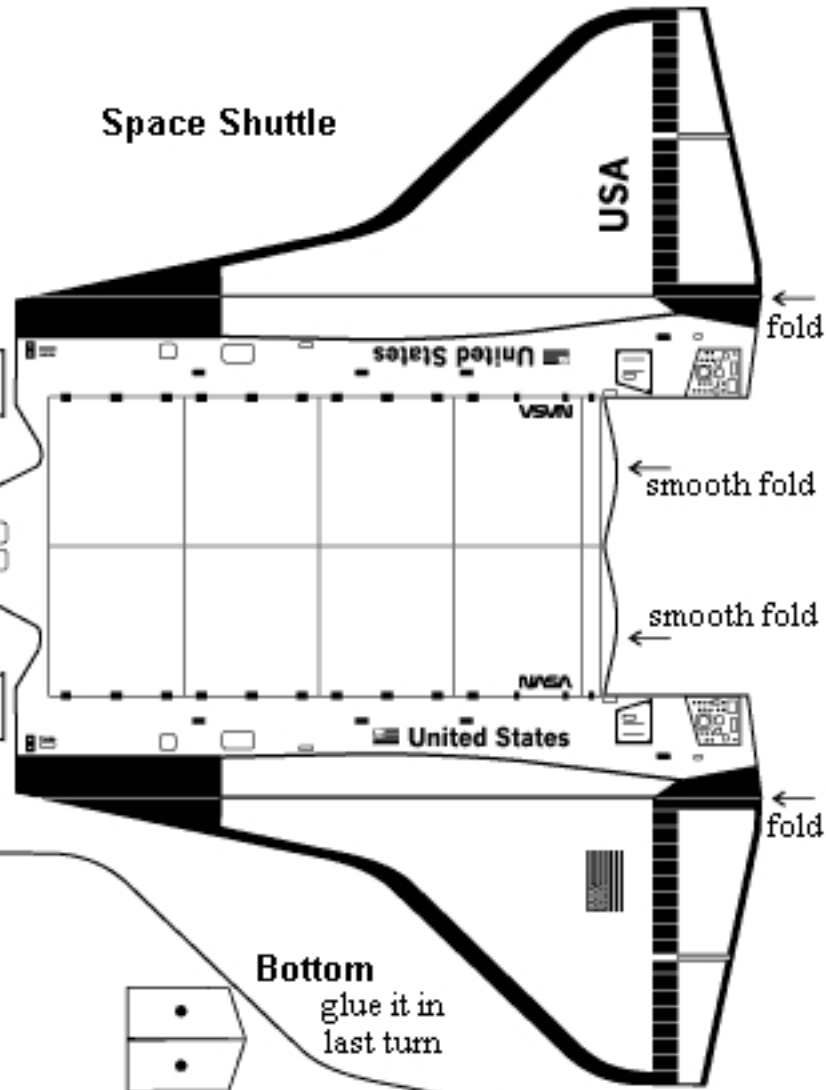




fold it up as a cone



Space Shuttle

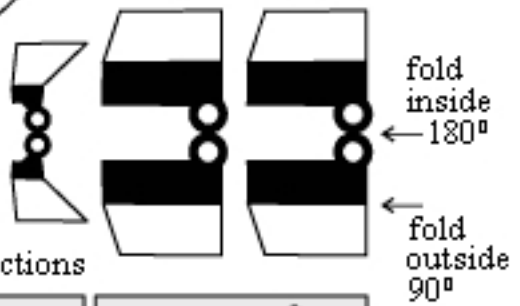


Bottom

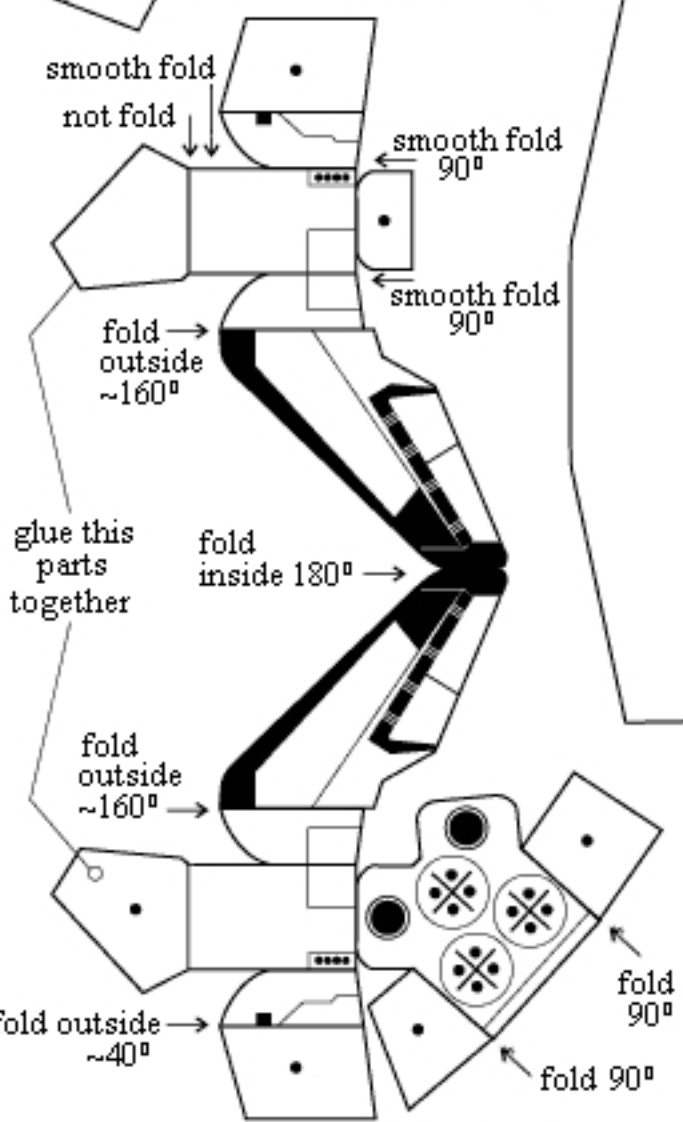
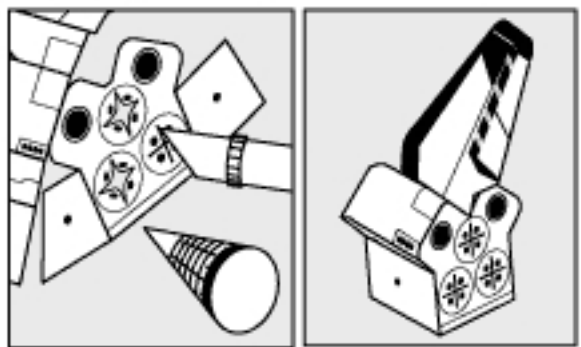
glue it in last turn

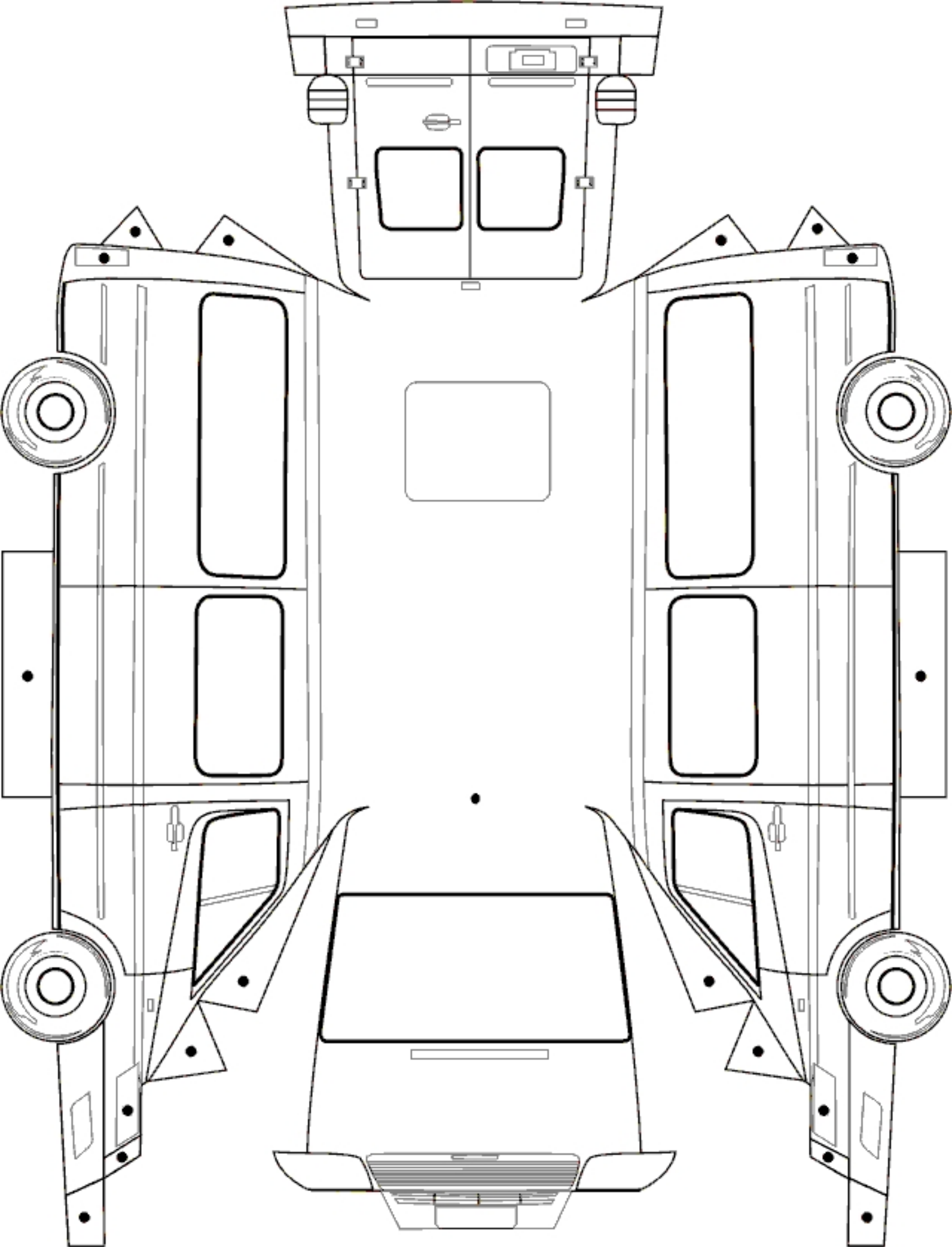


Wheels



Folding instructions

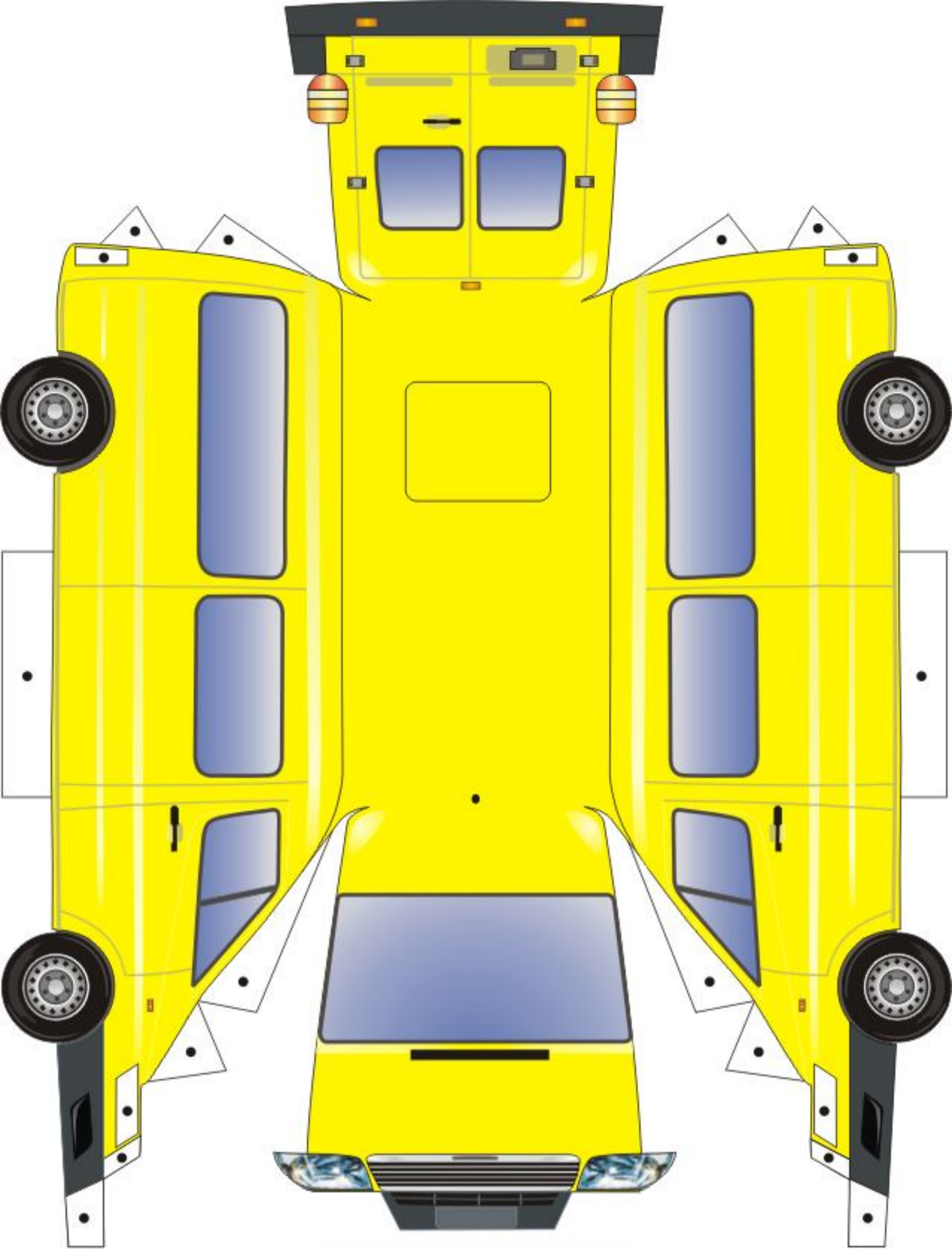




Freightliner
Sprinter


PAPER TOYS
© PaperToys.com

bottom ↓

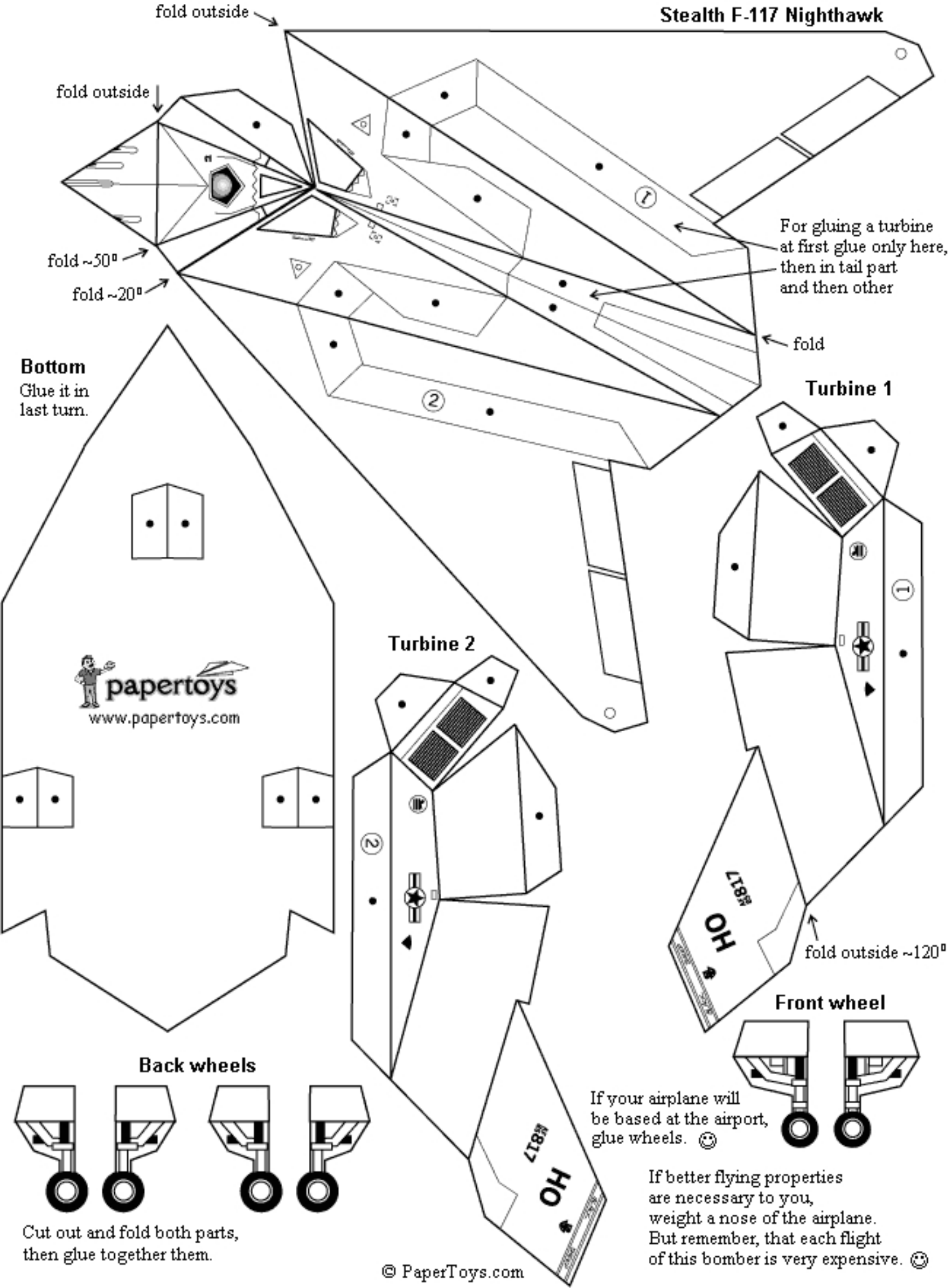


Freightliner
Sprinter

bottom ↓


PAPER TOYS
© PaperToys.com

Stealth F-117 Nighthawk



fold outside

fold ~50°

fold ~20°

Bottom

Glue it in last turn.



For gluing a turbine at first glue only here, then in tail part and then other

fold

Turbine 1

Turbine 2

fold outside ~120°

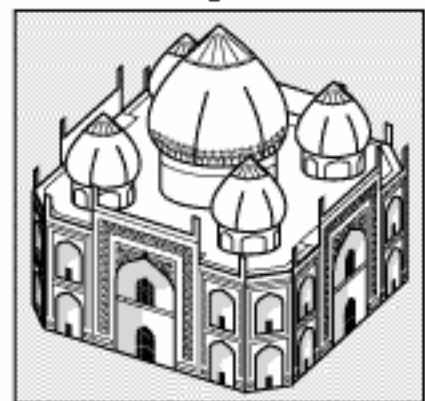
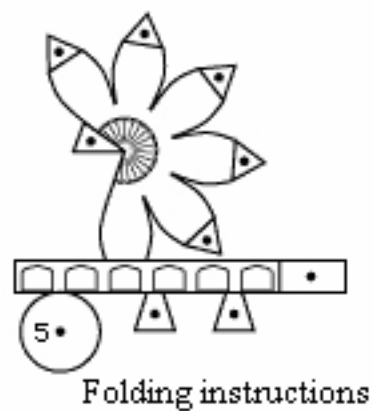
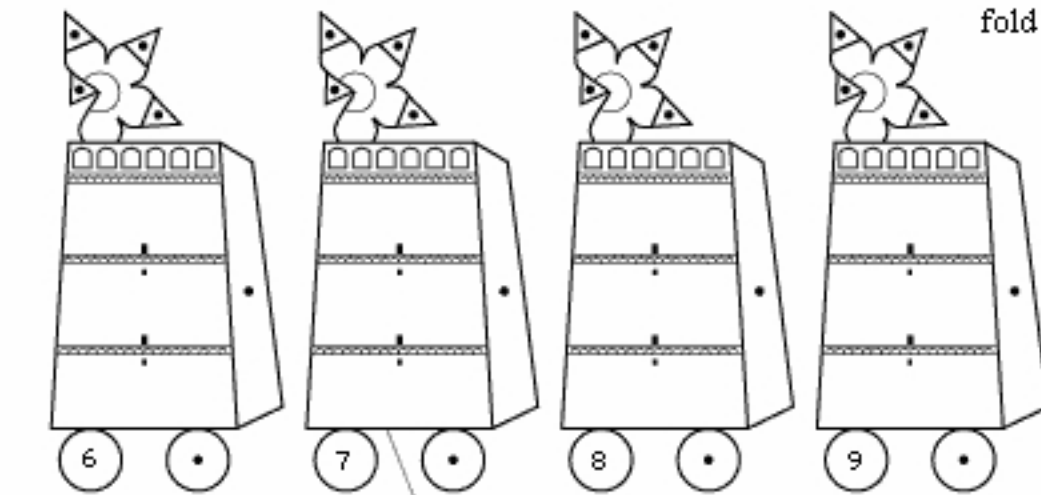
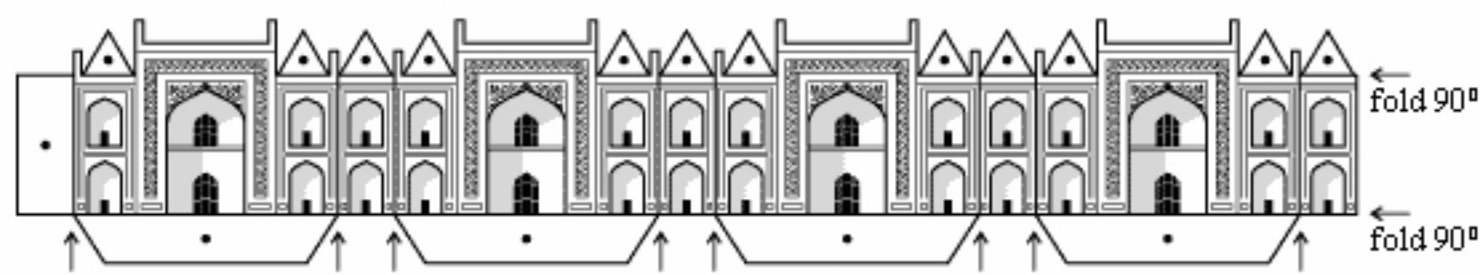
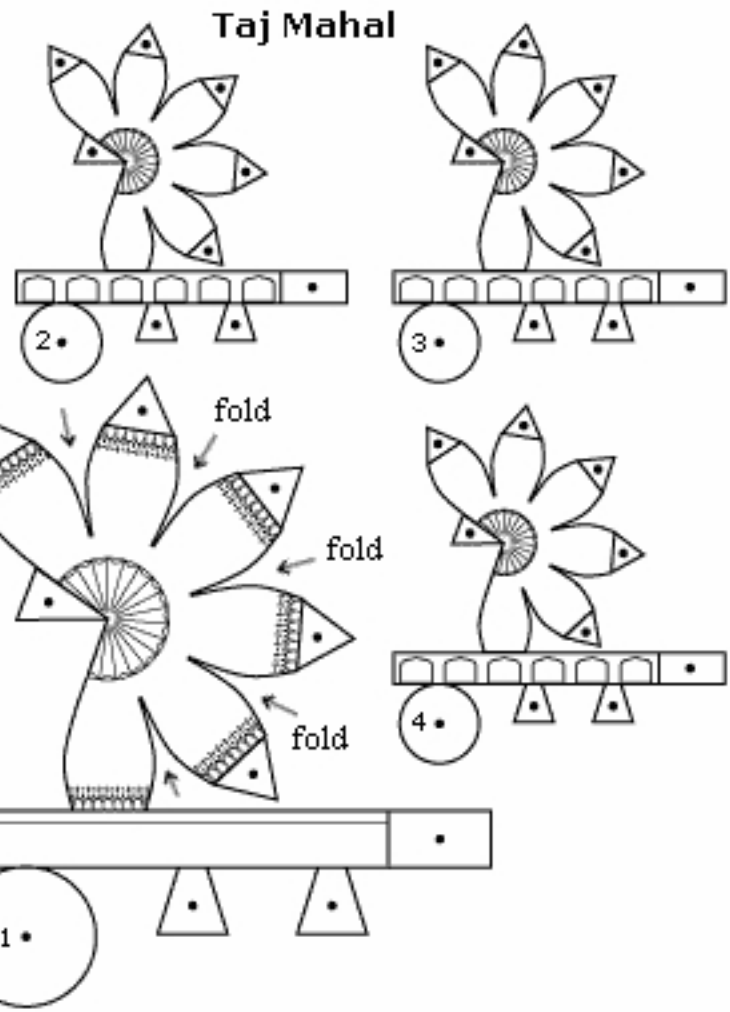
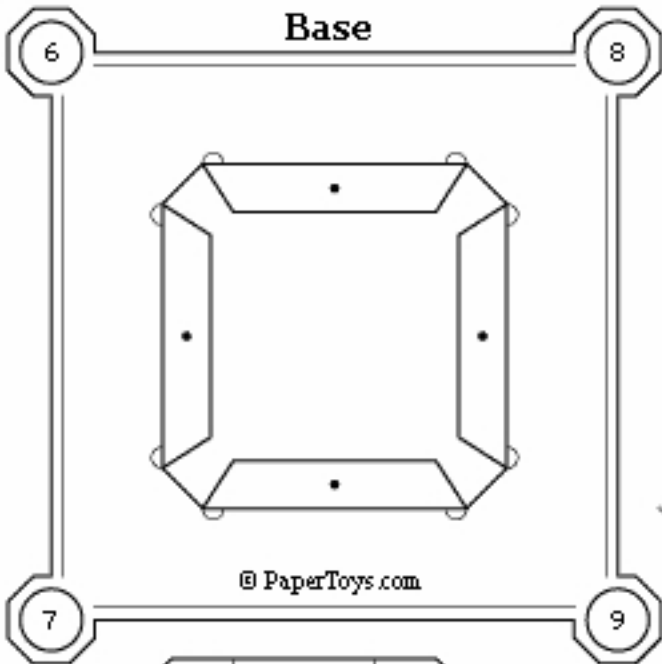
Front wheel

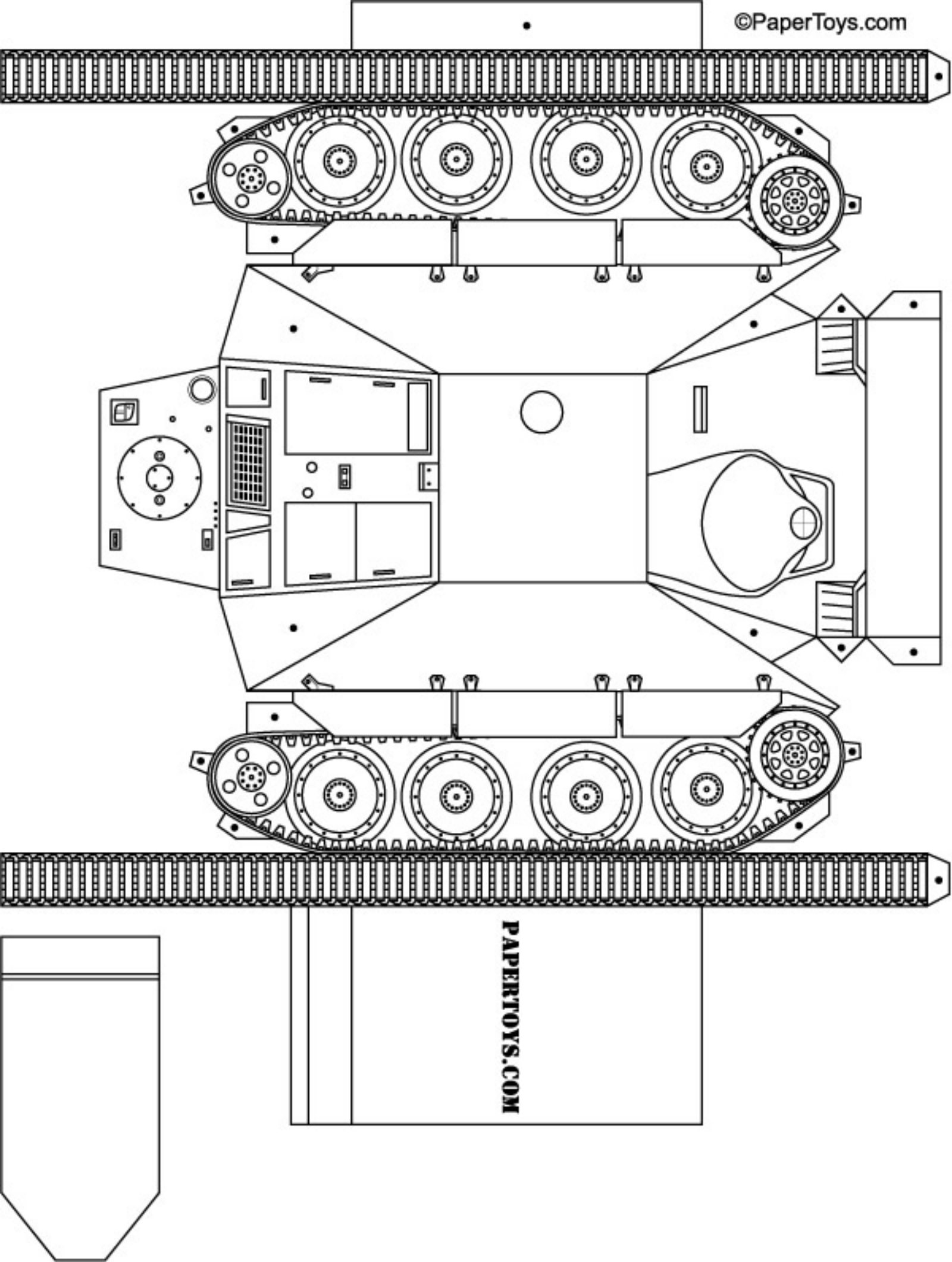
Back wheels

If your airplane will be based at the airport, glue wheels. 😊

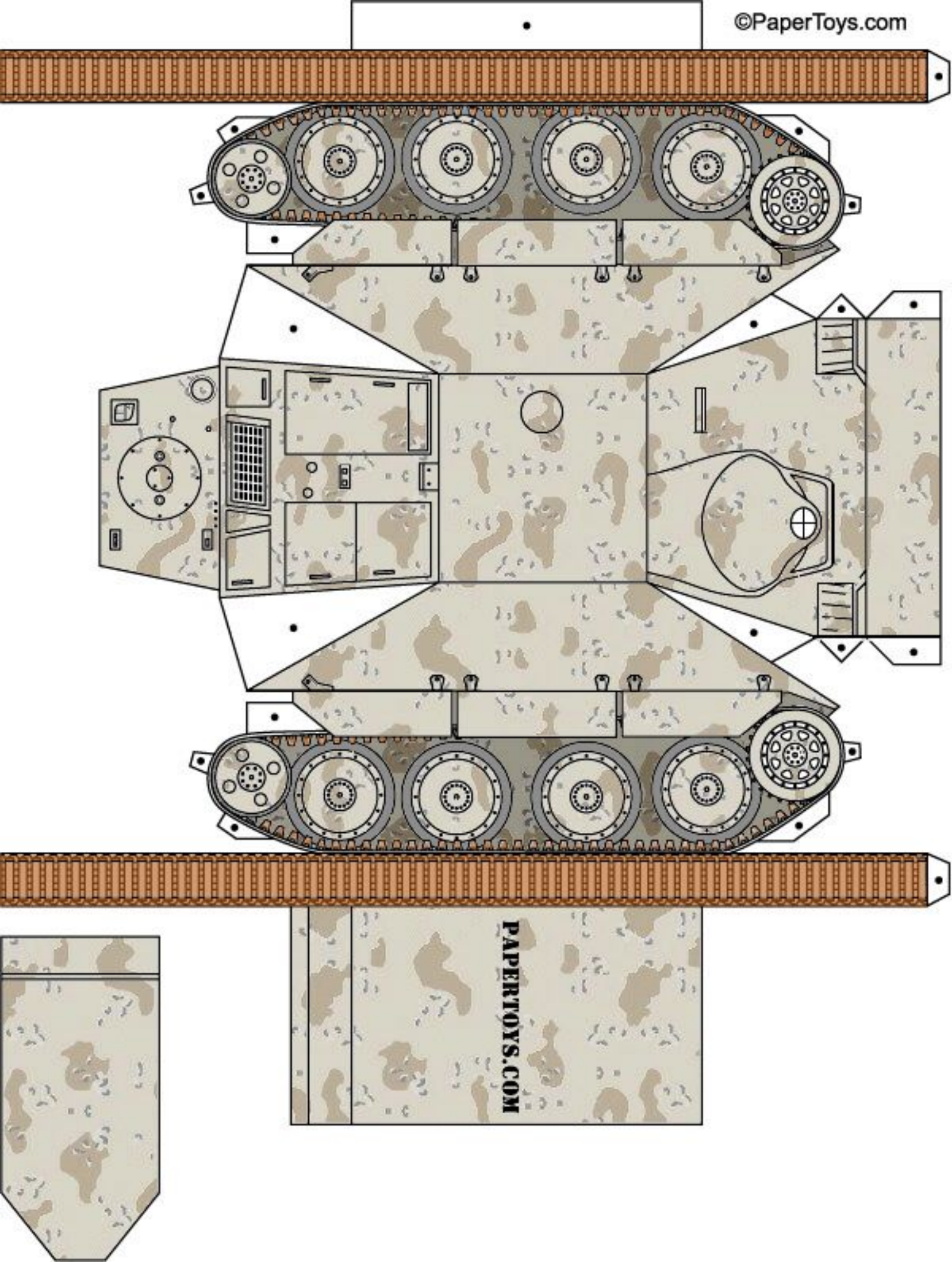
If better flying properties are necessary to you, weight a nose of the airplane. But remember, that each flight of this bomber is very expensive. 😊

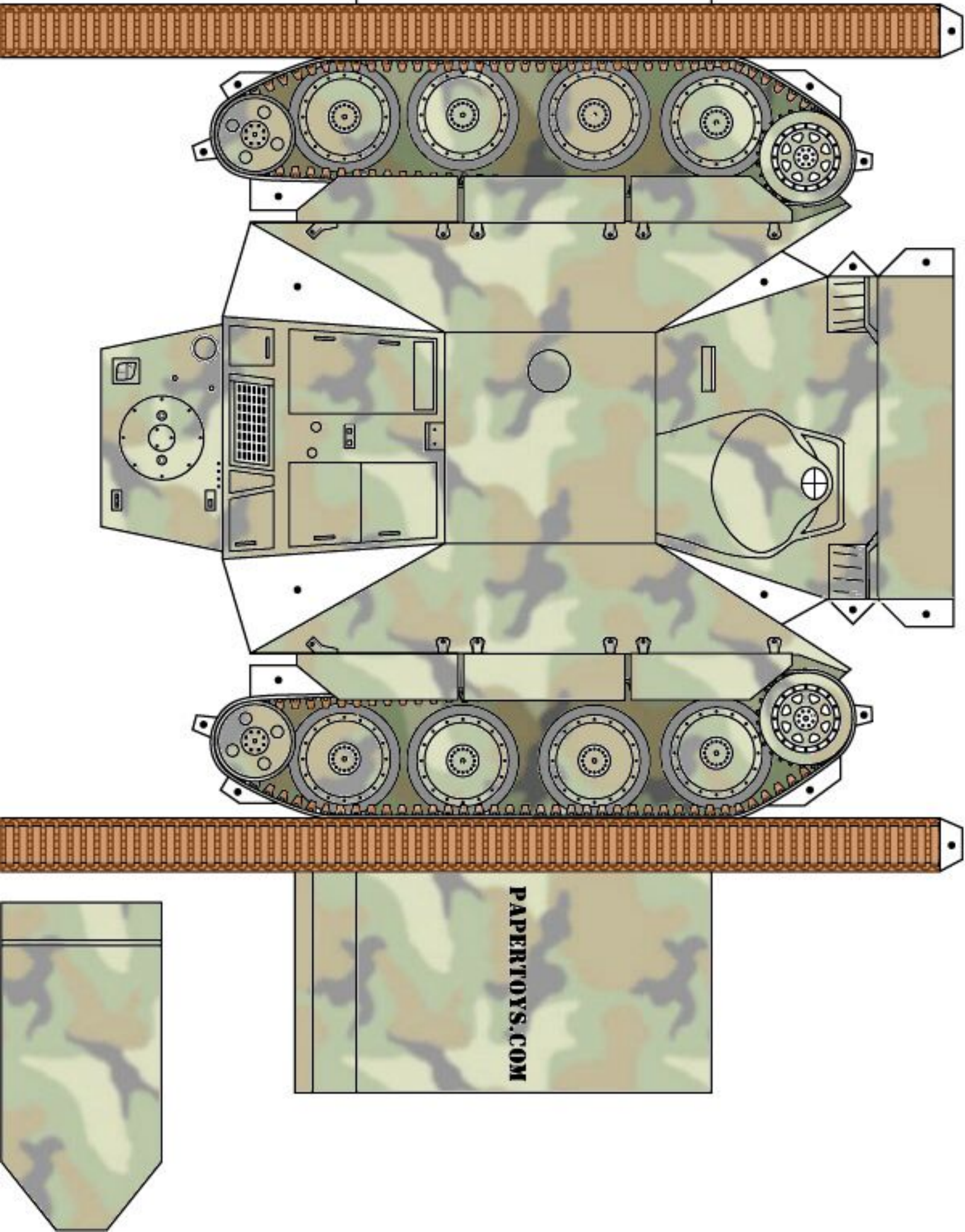
Cut out and fold both parts, then glue together them.





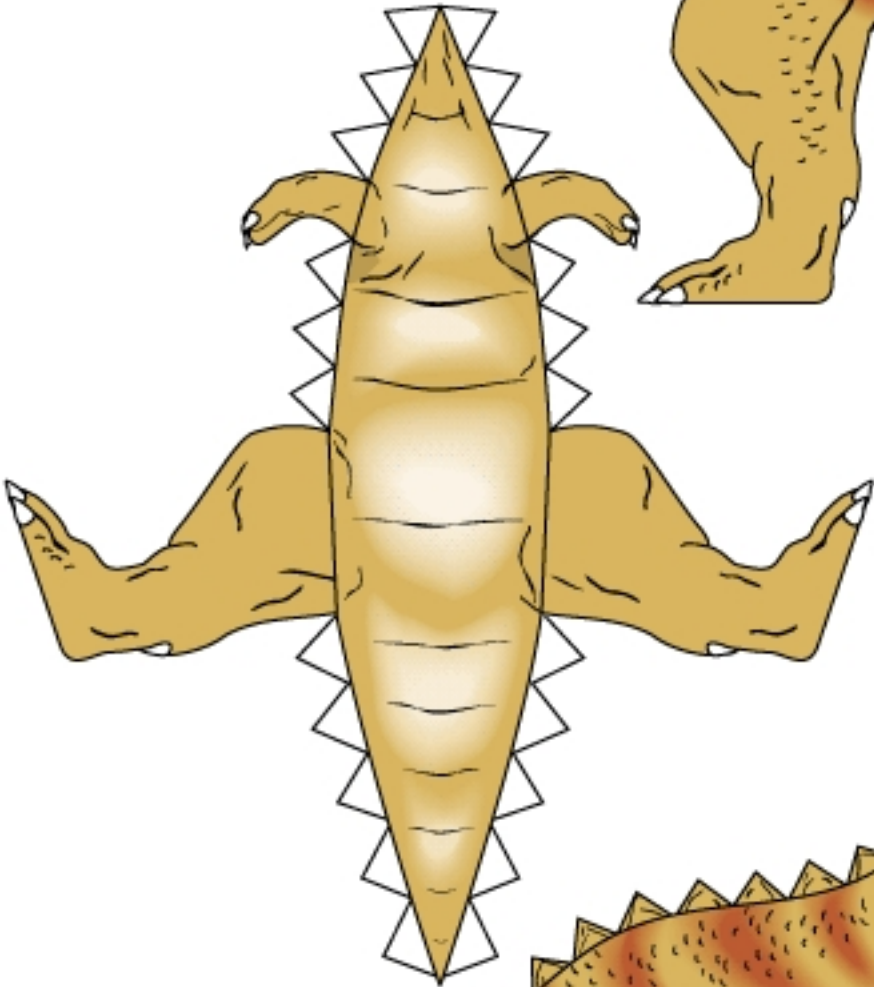
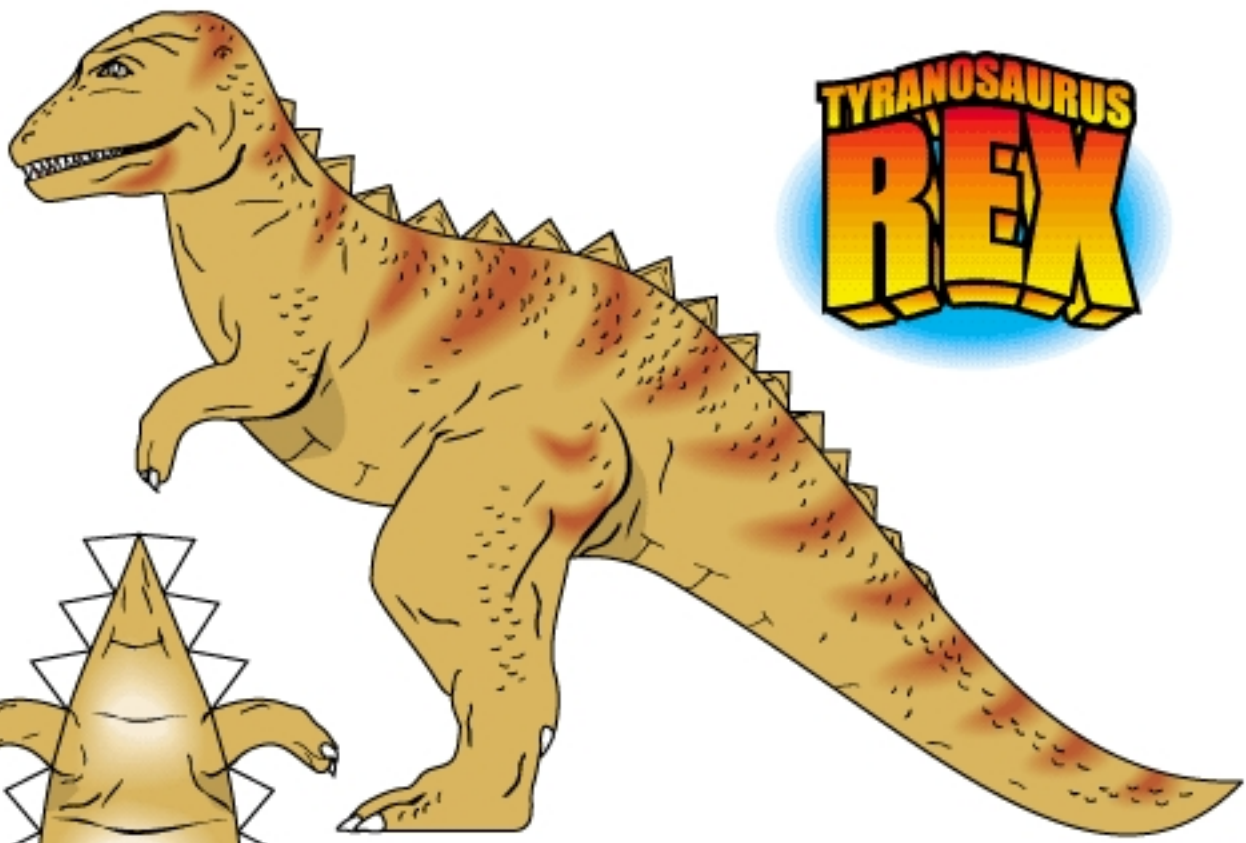
PAPERTOYS.COM



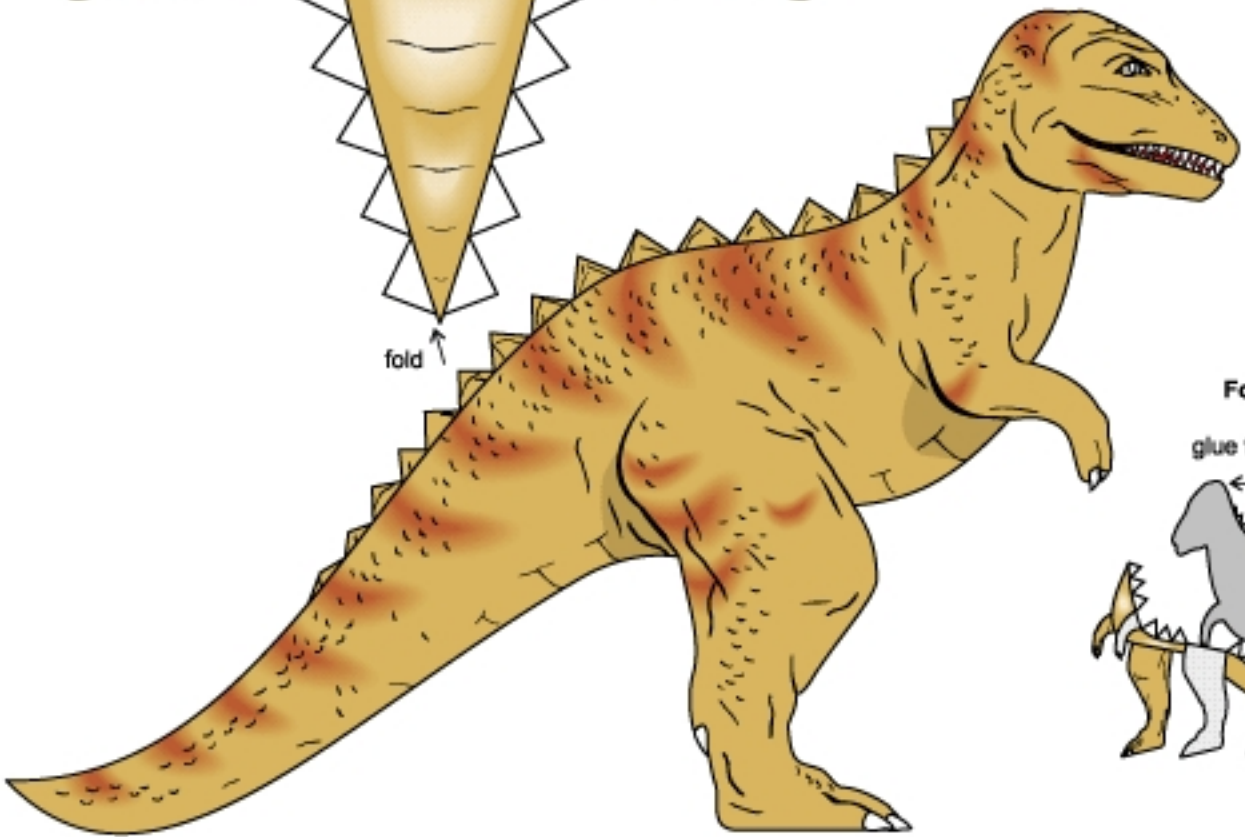


PAPERTOYS.COM

TYRANOSAURUS REX



fold



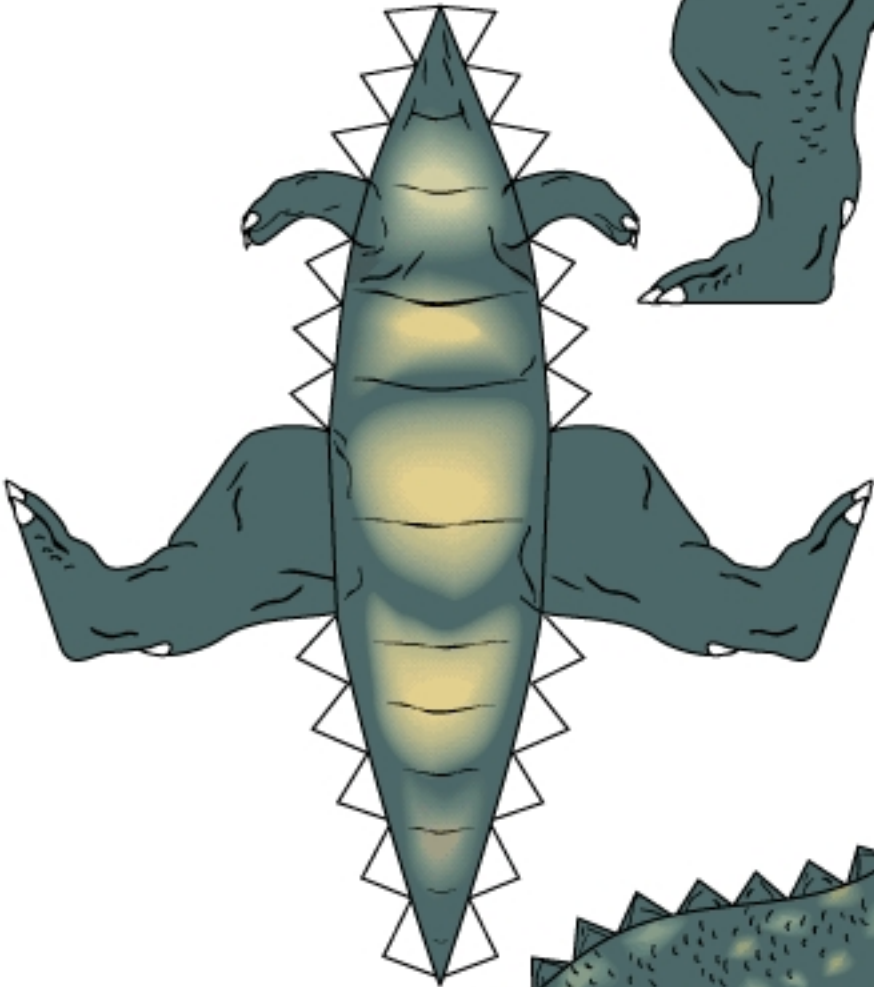
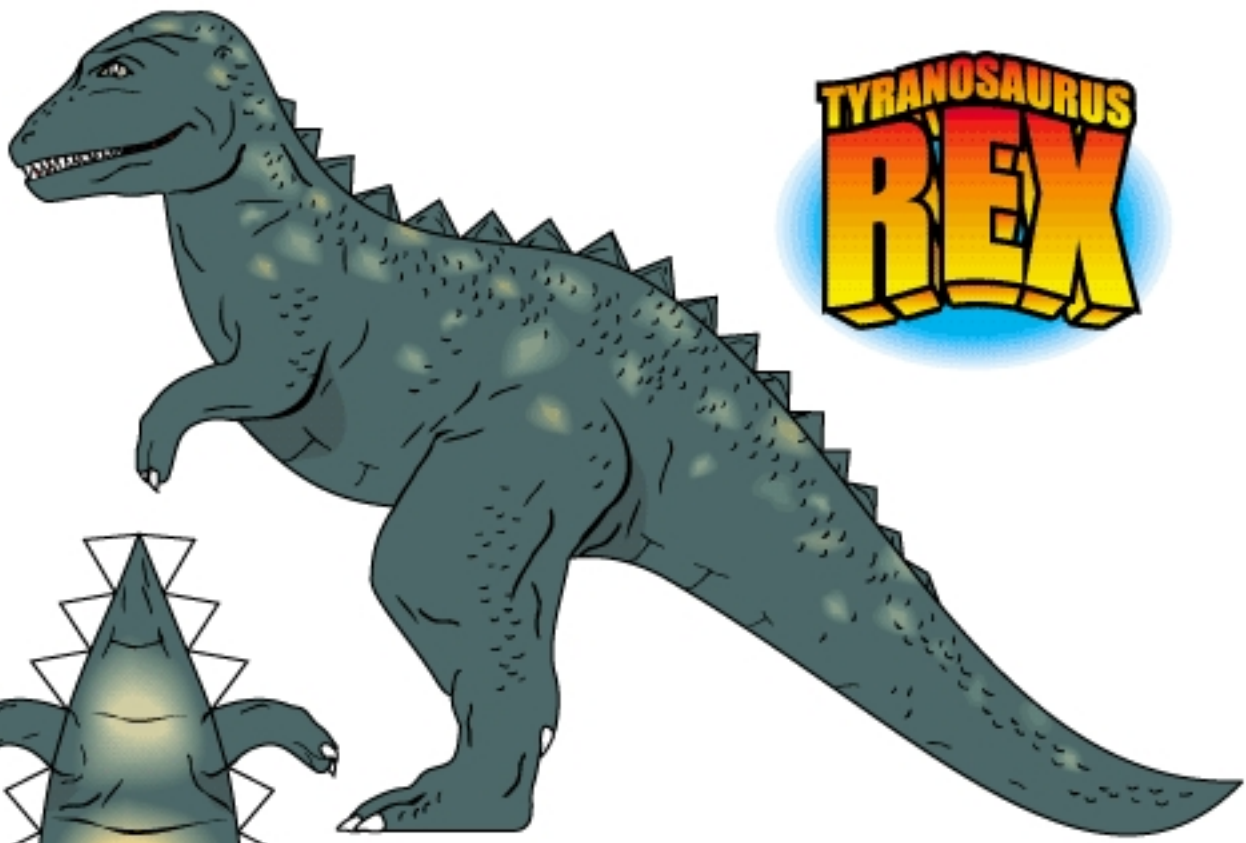
Folding instructions

glue together

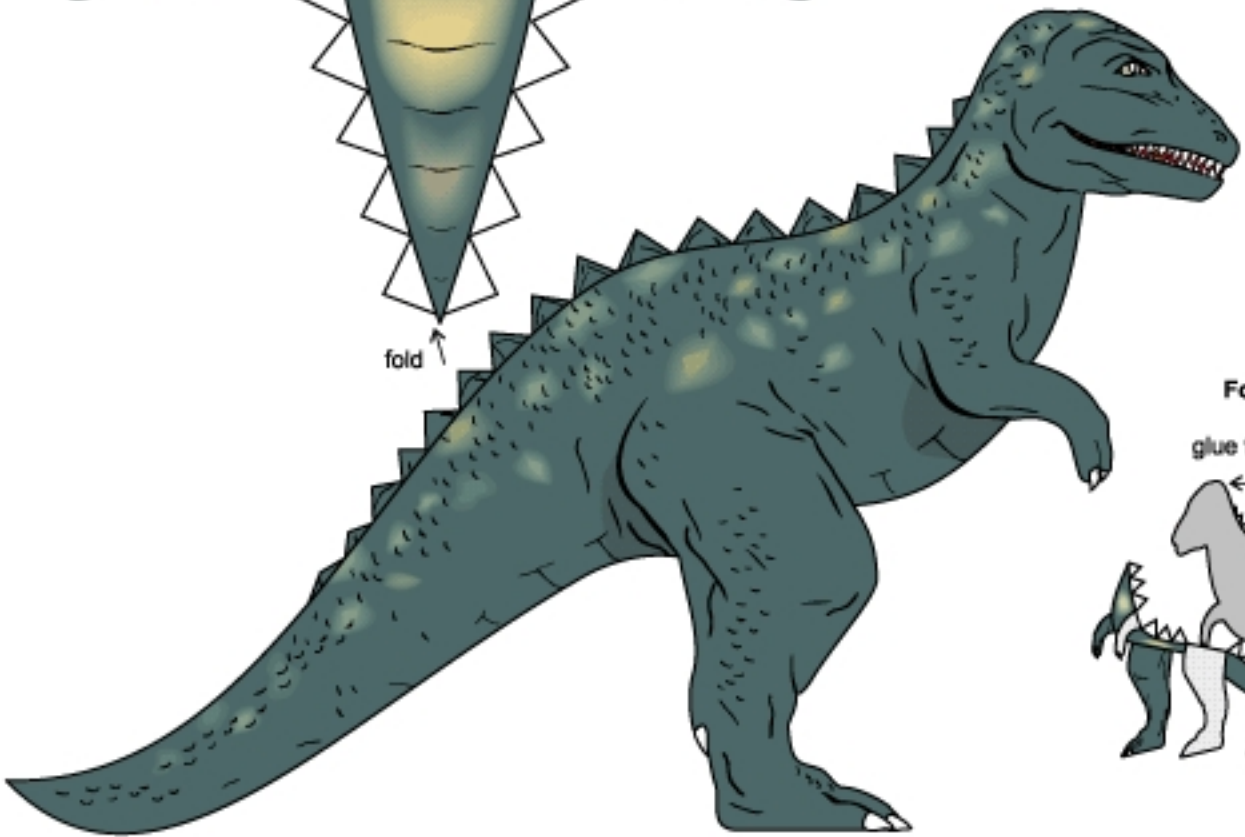


glue together

TYRANOSAURUS REX



fold

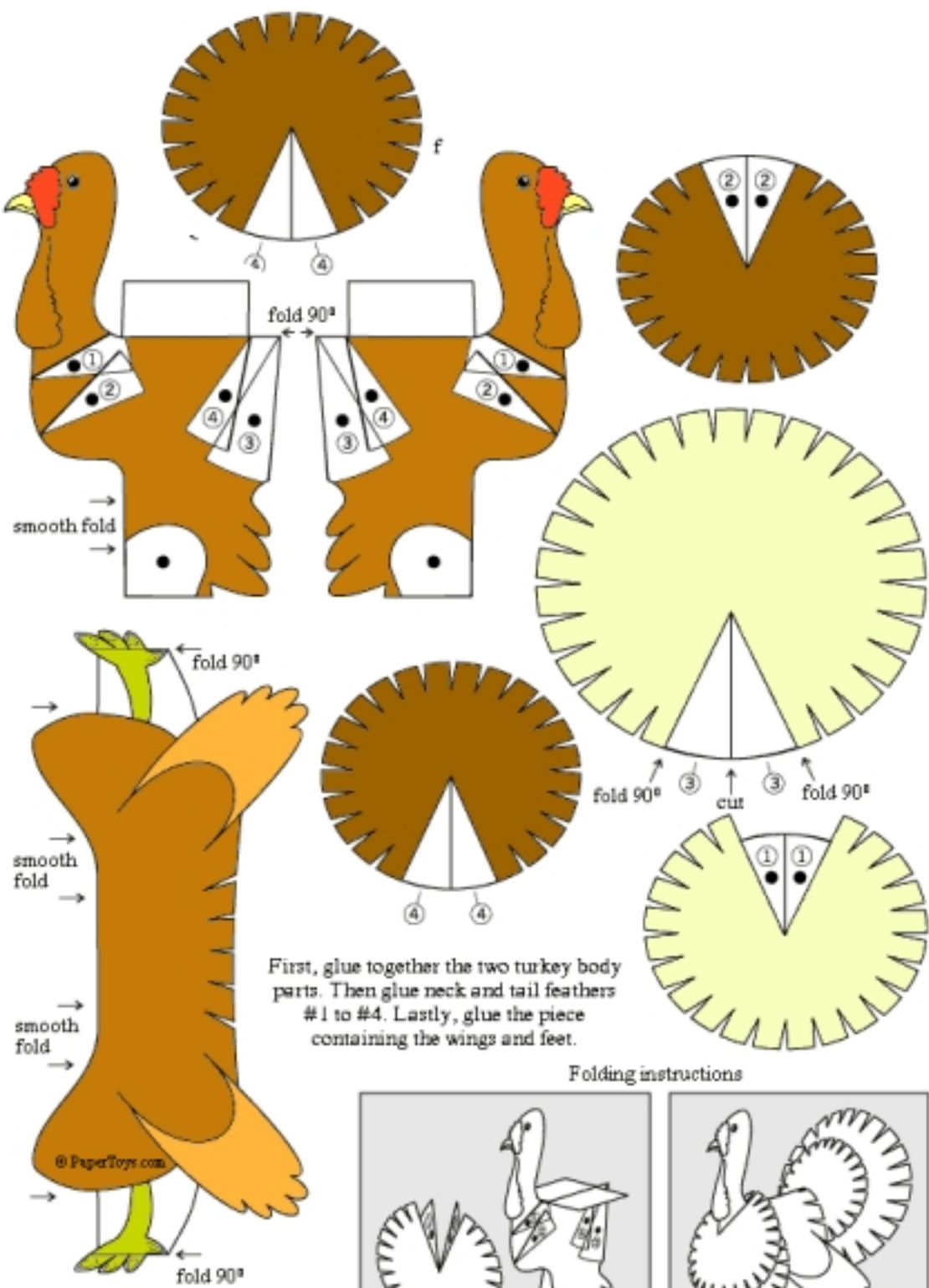


Folding instructions

glue together



glue together



First, glue together the two turkey body parts. Then glue neck and tail feathers #1 to #4. Lastly, glue the piece containing the wings and feet.

Folding instructions

